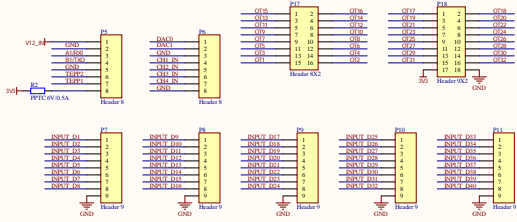
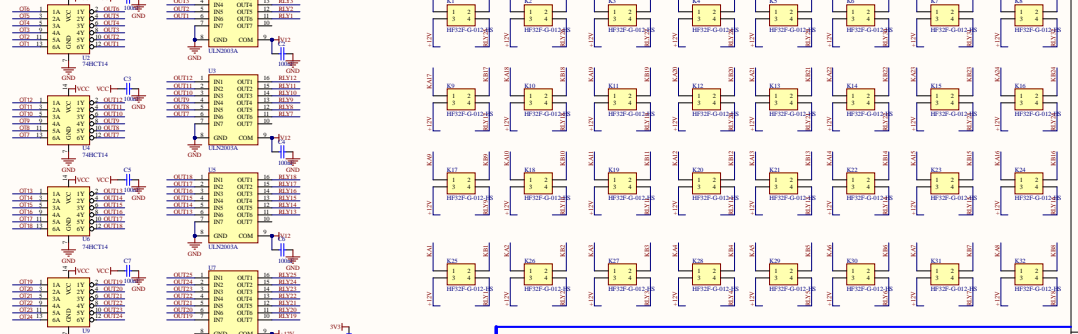


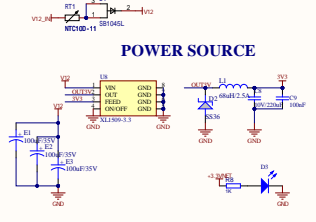
OUTPUT INTERFACE

OUTPUT

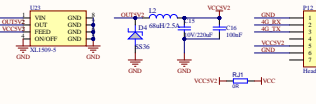


INPUT INTERFACE

POWER SOURCE



4G PS&INTERFACE



433M_RCV



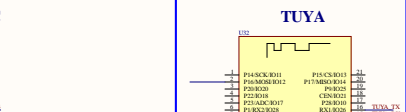
TEM/HUMI.



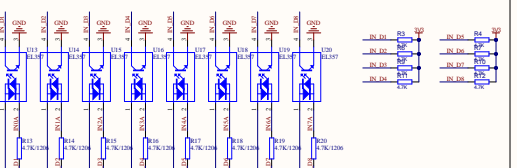
ADC



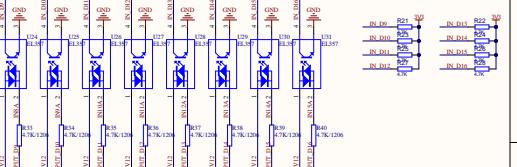
TUYA



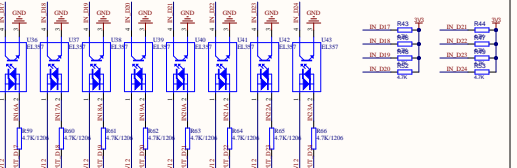
INPUT1



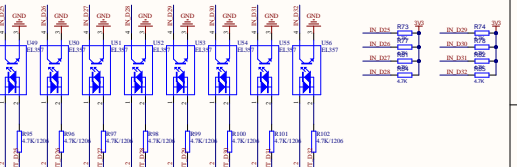
INPUT2



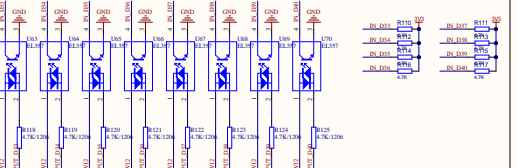
INPUT3



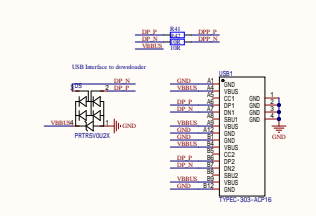
INPUT4



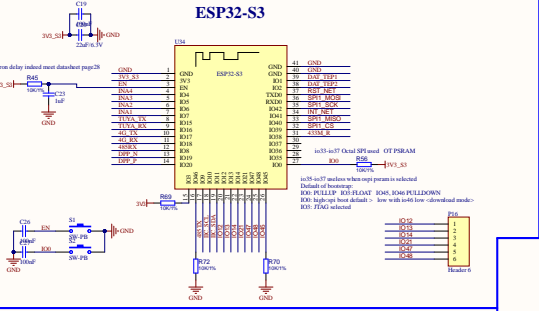
INPUT5



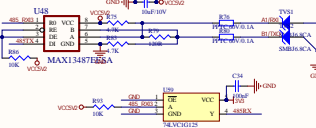
USB-B



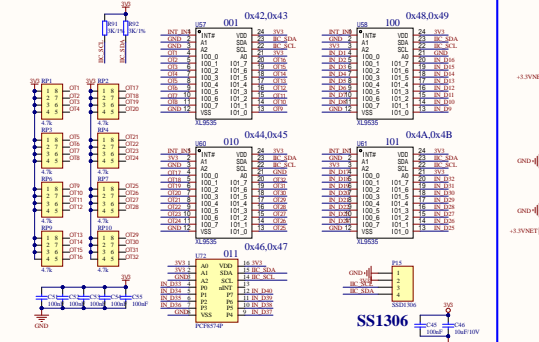
ESP32-S3



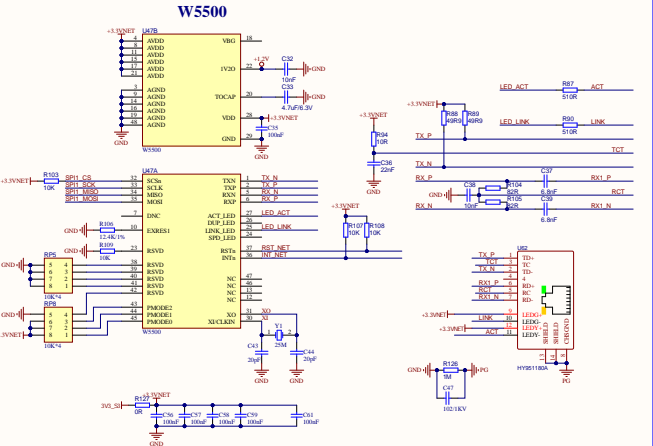
RS485



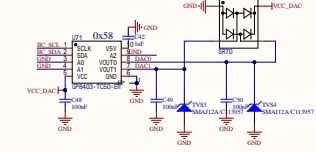
IIC



W5500



2CH 0-10V OUT



Revision table with columns: No, Number, Revision