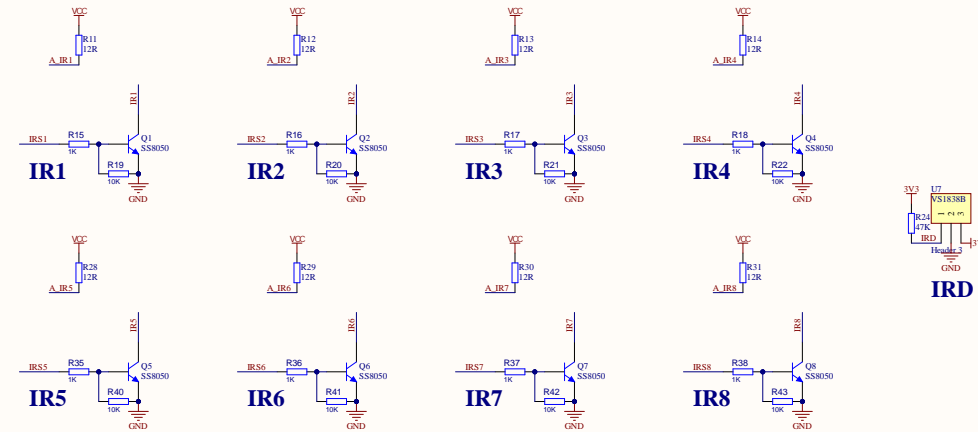
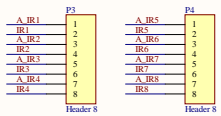
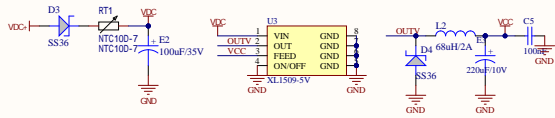
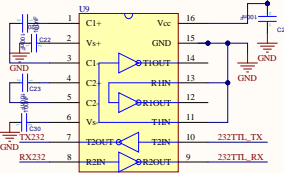


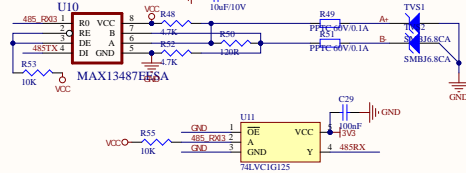
PowerSource



RS232



RS485

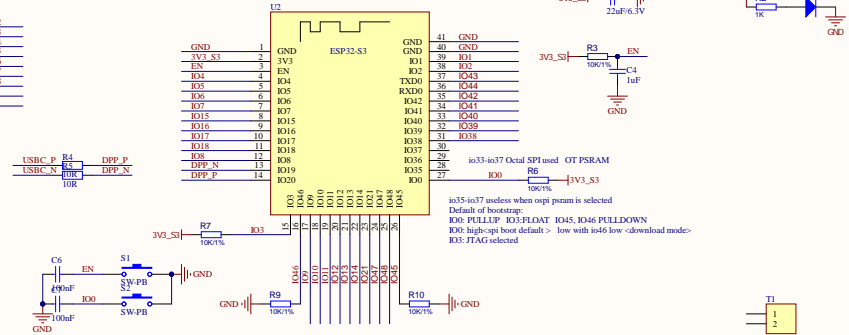


INA1	J07	IO1	RST_NET
INA2	J06	IO44	SP1_MISO
INA3	J05	IO4	RST_NET
INA4	J04	IO2	RST_NET
		IO42	SP1_SCK
FR01	J015	IO41	SP1_CS
232TTL_RX	J016	IO59	FR0
232TTL_TX	J017	IO18	FR02
485TX	J018	IO40	FR04
485RX	J08		

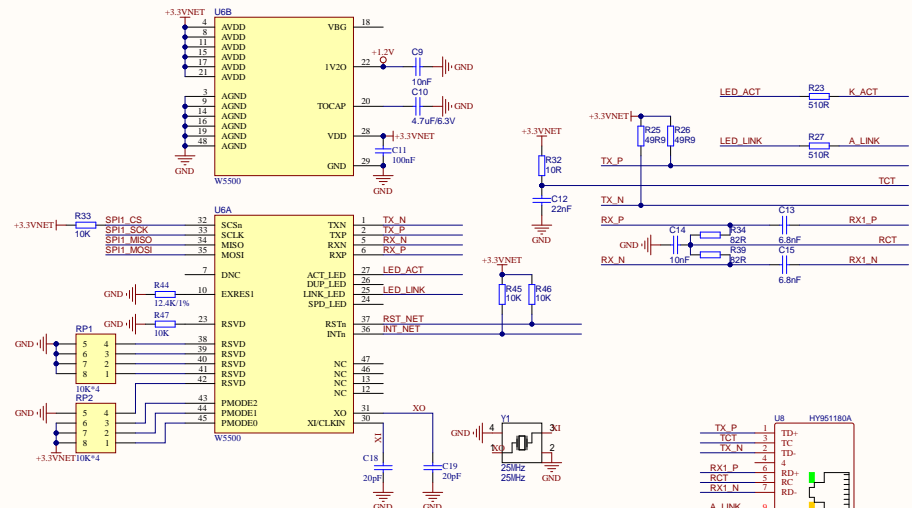
All INFO.

IO10	IR52
IO11	IR53
IO12	IR54
IO13	IR55
IO14	IR56
IO21	IR57
IO47	IR58
IO48	IR59
IO9	IR51

ESP32-S3



W5500



Title		Revision	
Size	Number		
A2			
Date:	6/14/2024	Sheet of	
File:	C:\Users\JKIN\CONY-AG8-V12\SchDoc	Drawn By:	