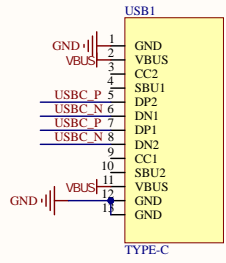
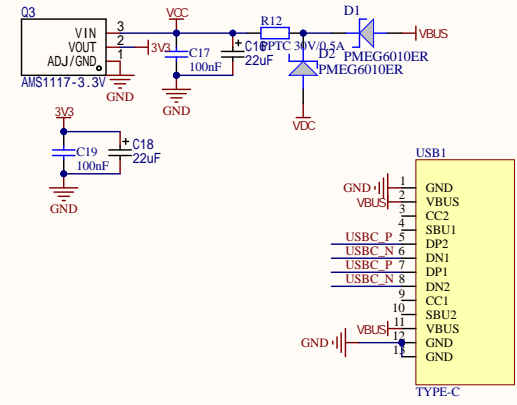
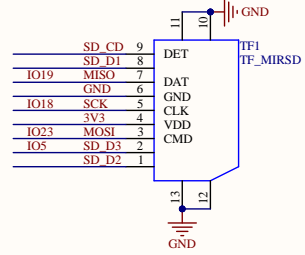
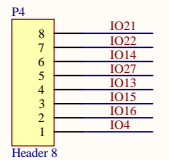
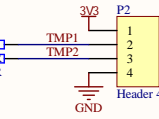
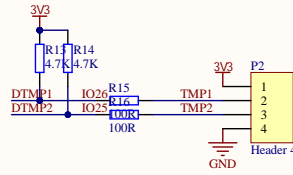


SD OPERATOR METHOD:  
 1. SDMMC <-SUPER FAST>  
 pin8(io4), pin7(io2),pin5(io14),  
 pin3(io15),pin2(io13),pin1(io12)  
 2. HSP1 <-FAST>  
 pin7(io12),pin5(io14),pin3(io13),pin2(io15)  
 2. VSP1 <-NORMAL>  
 pin7(io19),pin5(io18),pin3(io23),pin2(io5)  
 "we use VSP1 method here for HW reason"



Title		
Size	Number	Revision
A3		
Date:	4/12/2024	Sheet of
File:	C:\Users\...KINCONY-ATF-V10.SchDoc	Drawn By: