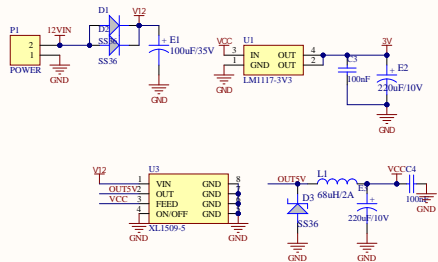
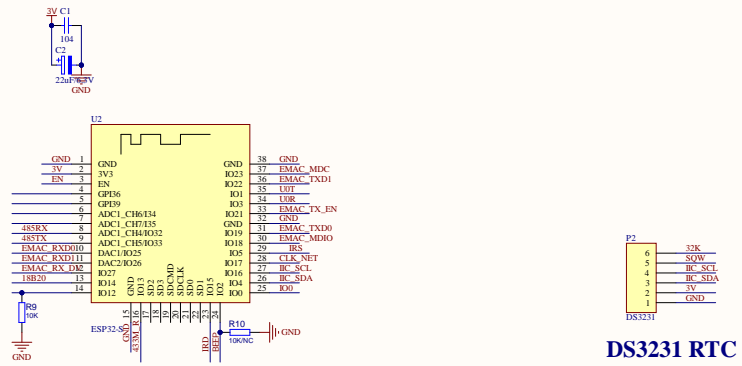


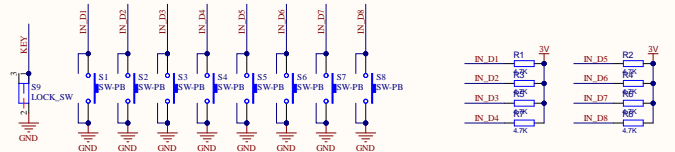
### LDO



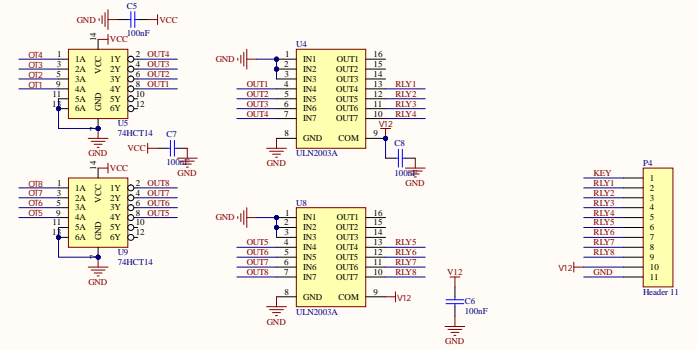
### ESP32



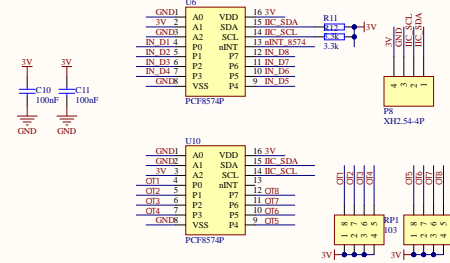
### KEY\_ARRAY



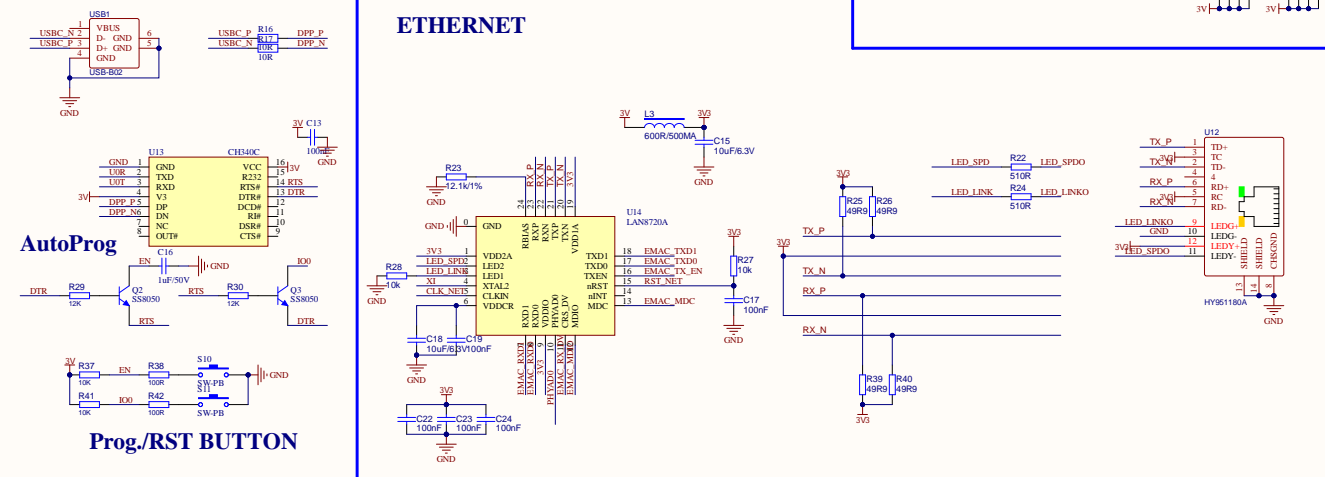
### OUTPUT



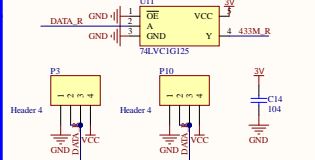
### PCF8574



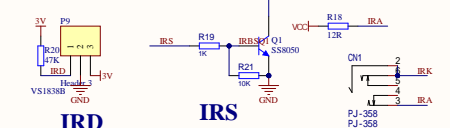
### ETHERNET



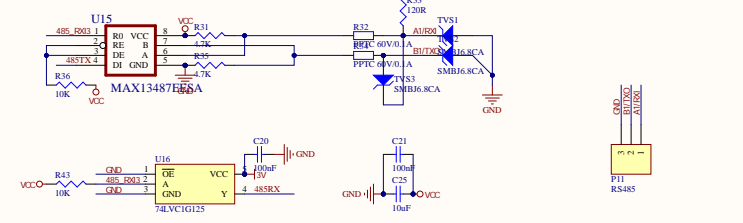
### 433M RECEIVE



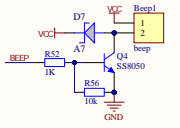
### IRD./IRS.



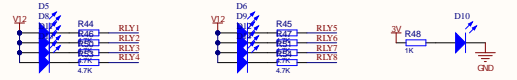
### RS485



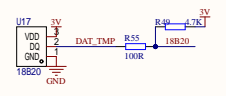
### BEEP



### INDICATOR LAMP



### TEM./HUMI.



Title	Number	Revision
Size	A2	
Date	6/21/2023	Sheet of
File	C:\Users\KC868-1U-V1\SchDoc	Drawn By: