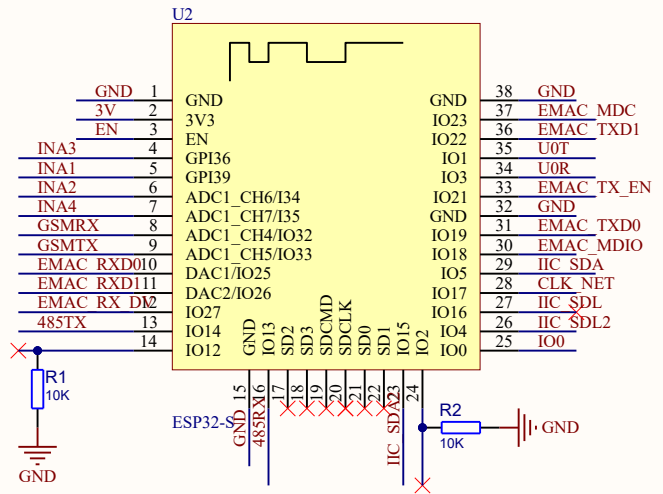
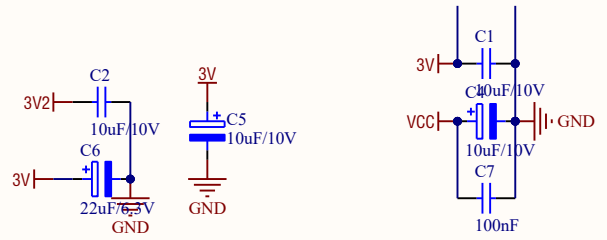
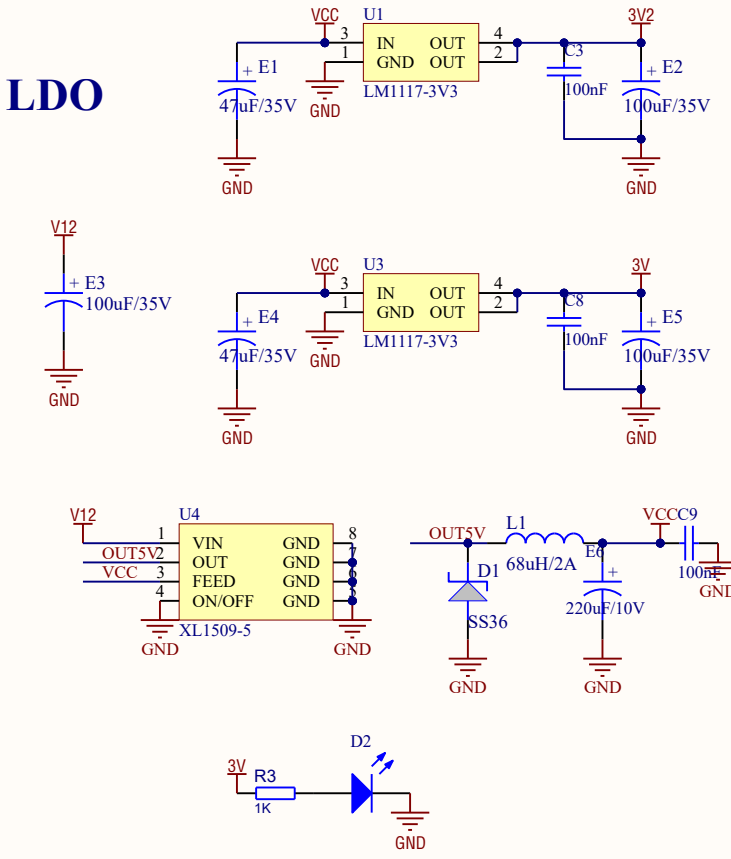


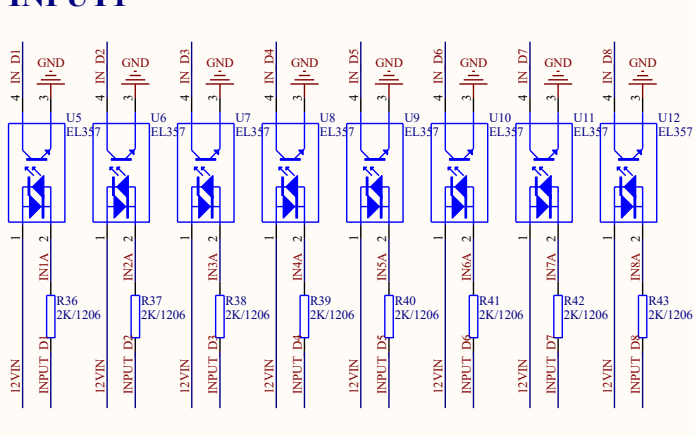
# LDO

# ESP32

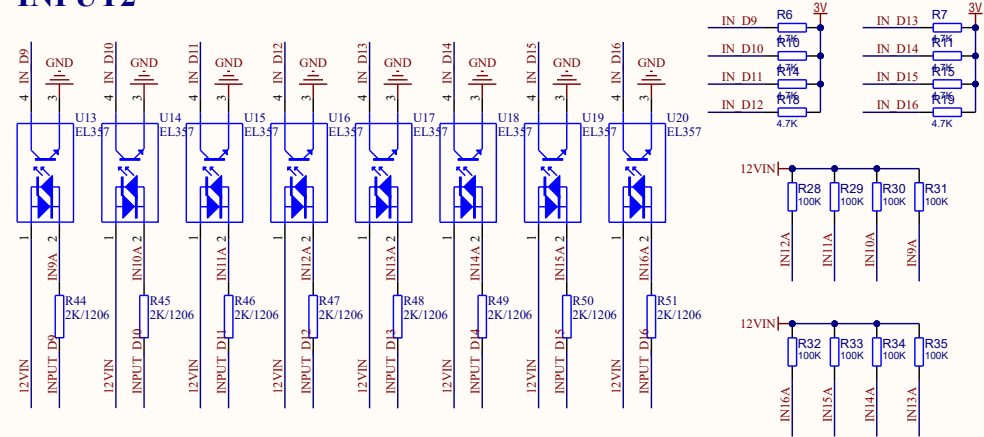


Title		
Size	Number	Revision
A4		
Date:	8/05/2022	Sheet of
File:	D:\KC868-A128\..ESP32P\SchDoc	Drawn By: KinCony

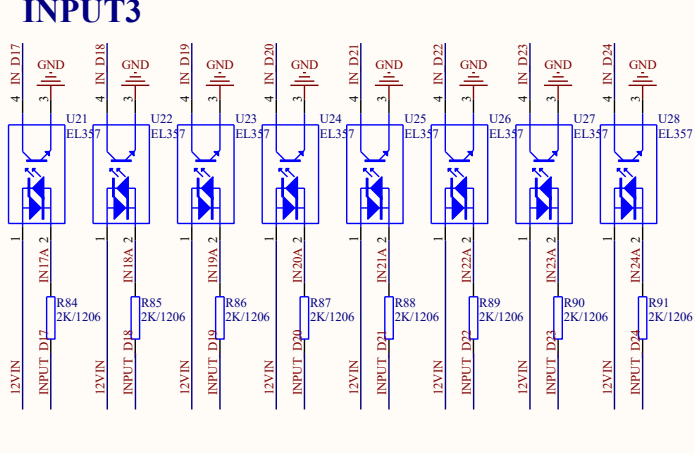
### INPUT1



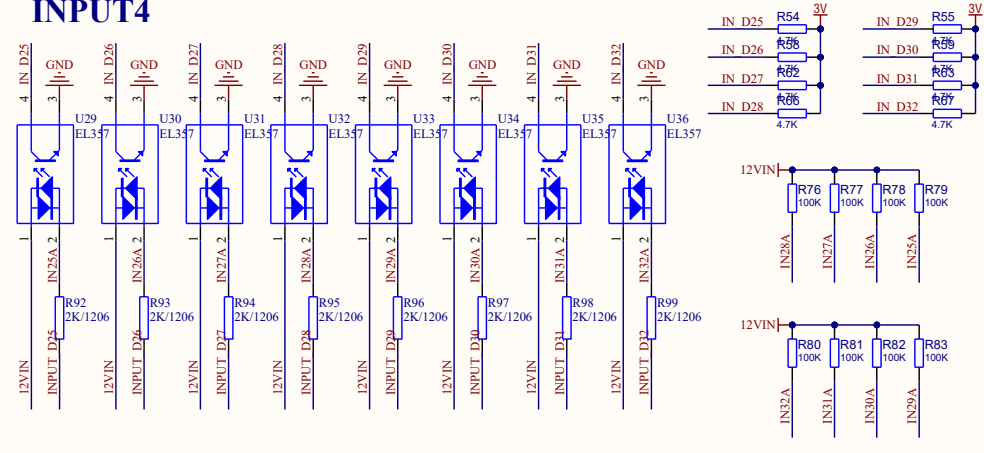
### INPUT2



### INPUT3

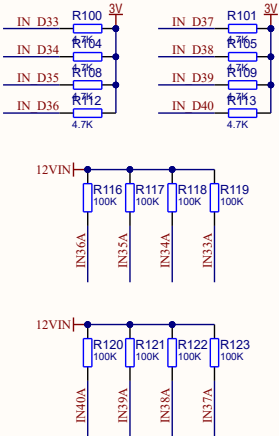
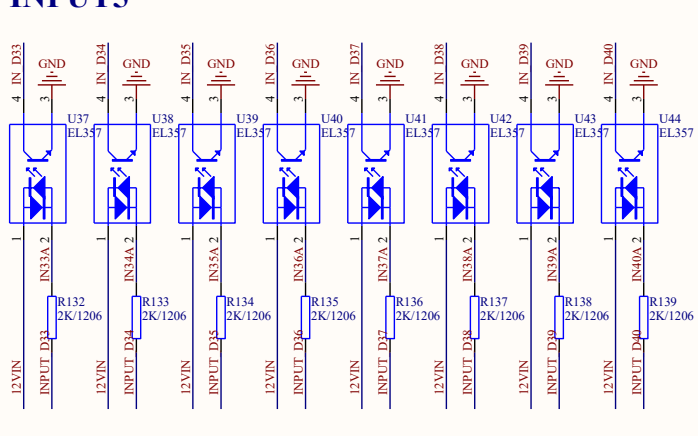


### INPUT4

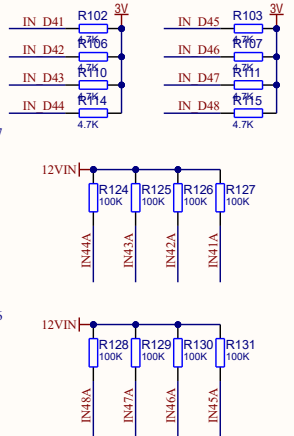
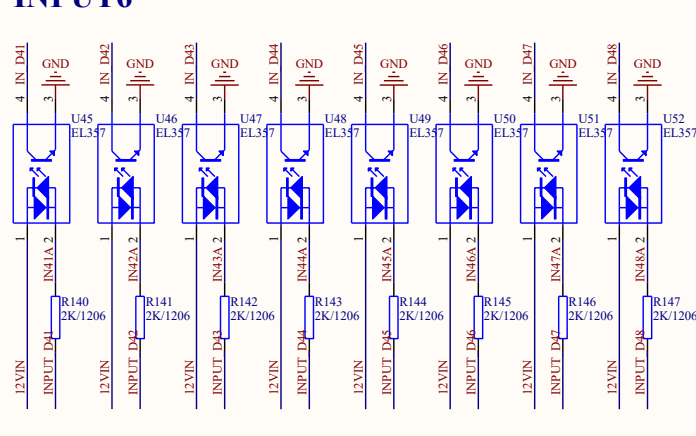


Title		
Size	Number	Revision
A3		
Date:	8/05/2022	Sheet of
File:	D:\KC868-A128\...INPUT1.SchDoc	Drawn By: KinCony

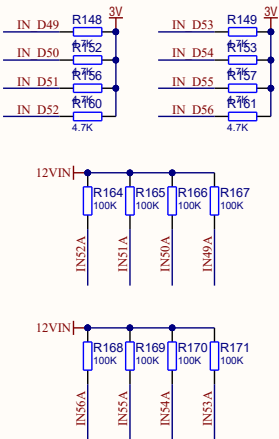
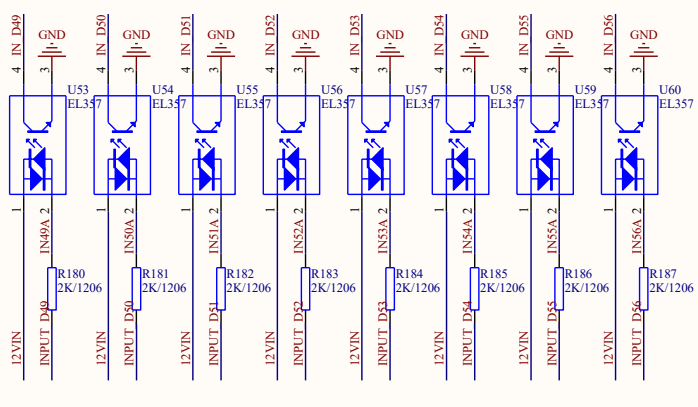
### INPUT5



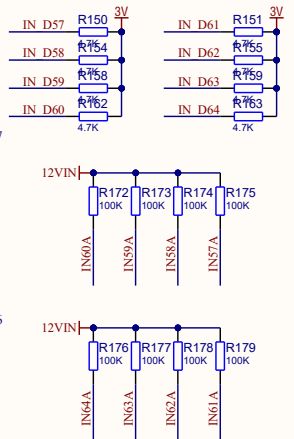
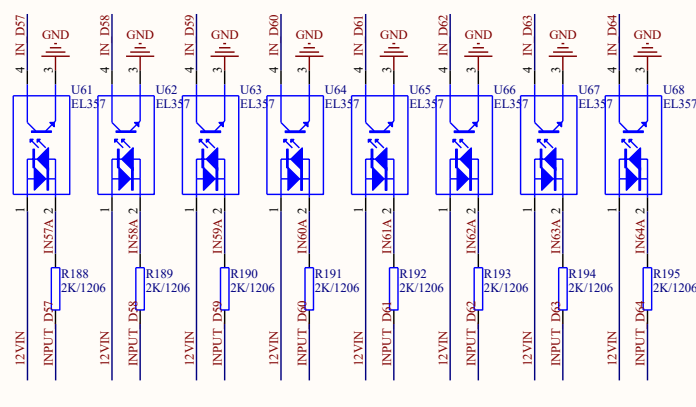
### INPUT6



### INPUT7

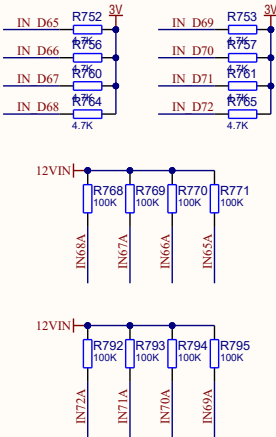
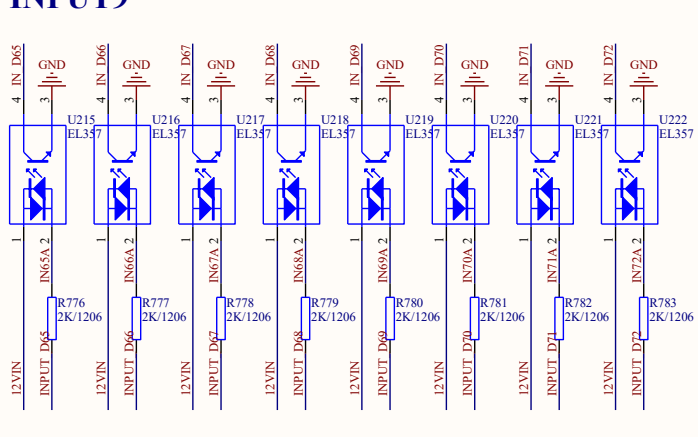


### INPUT8

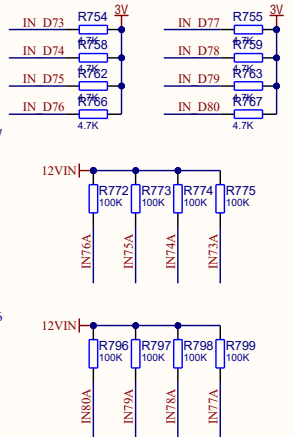
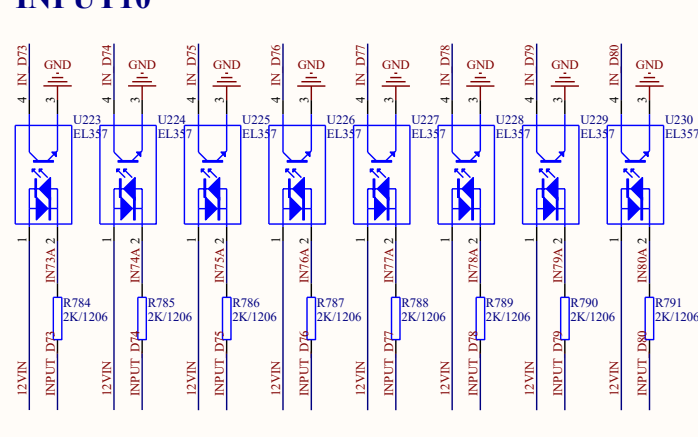


Title		
Size	Number	Revision
A3		
Date:	8/05/2022	Sheet of
File:	D:\KC868-A128\...INPUT2.SchDoc	Drawn By: <b>KinCony</b>

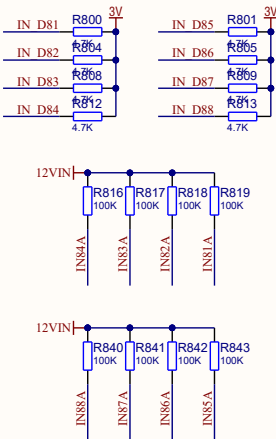
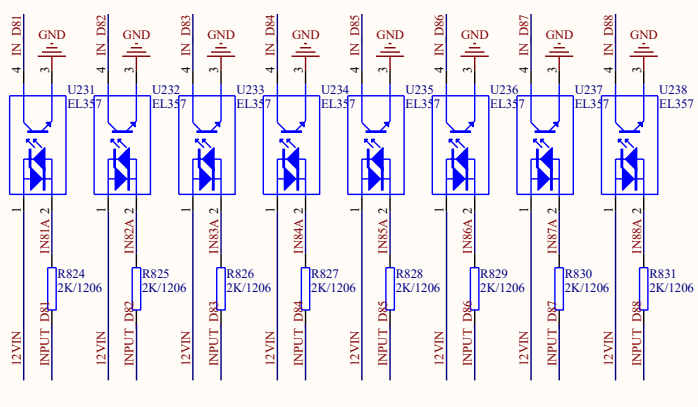
### INPUT9



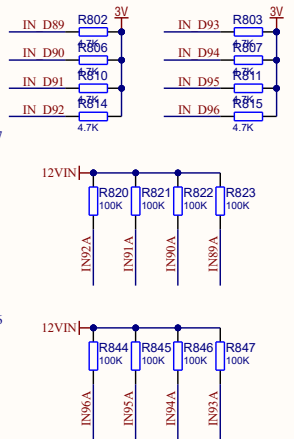
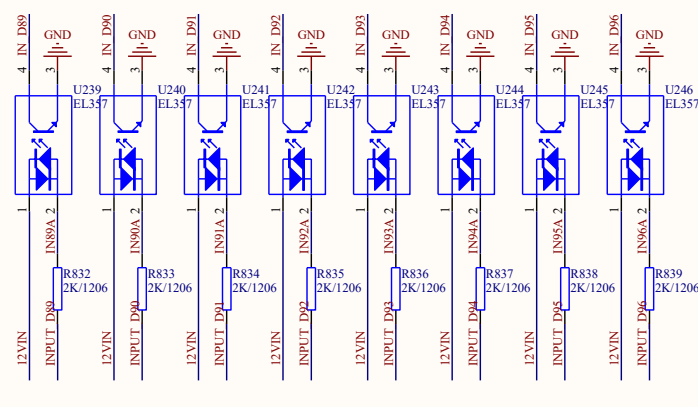
### INPUT10



### INPUT11

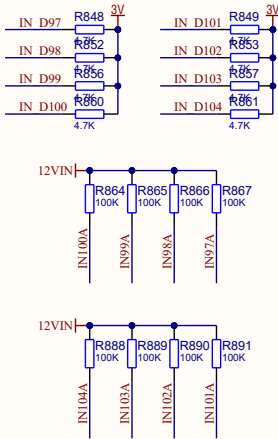
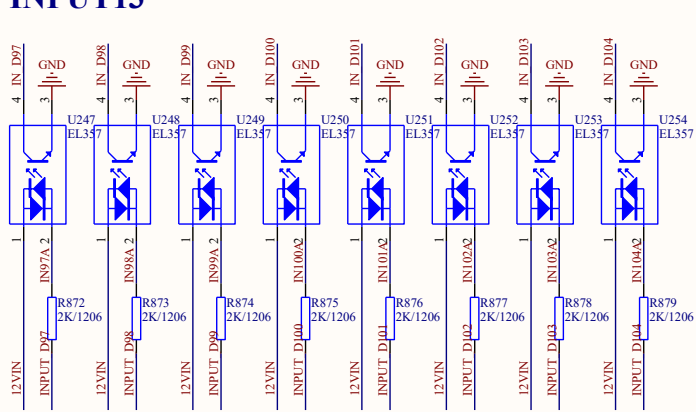


### INPUT12

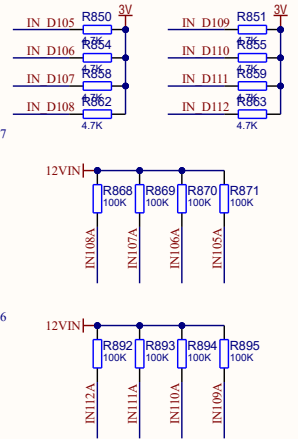
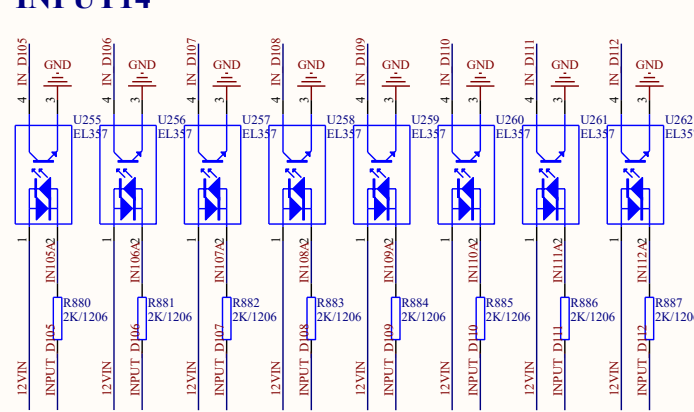


Title		
Size	Number	Revision
A3		
Date:	8/05/2022	Sheet of
File:	D:\KC868-A128\...INPUT3.SchDoc	Drawn By: KinCony

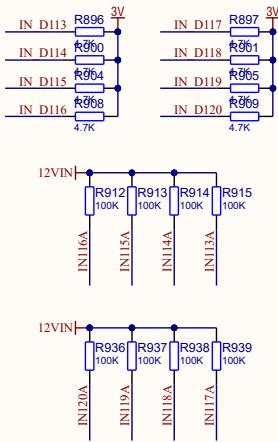
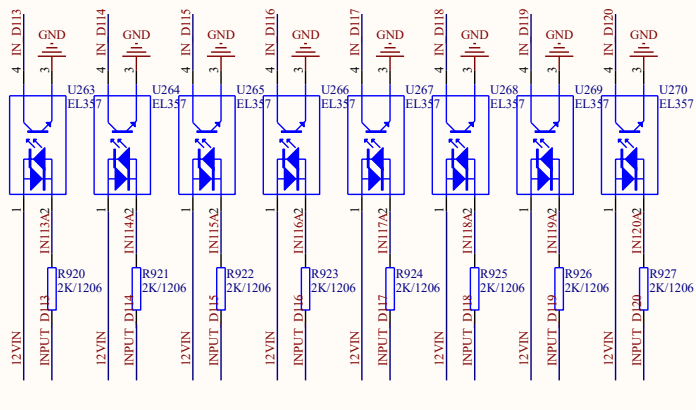
### INPUT13



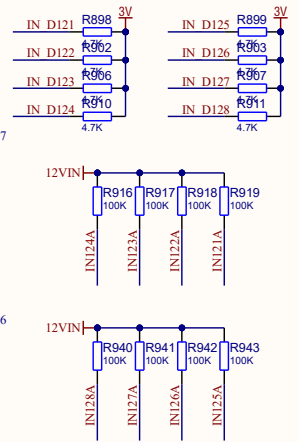
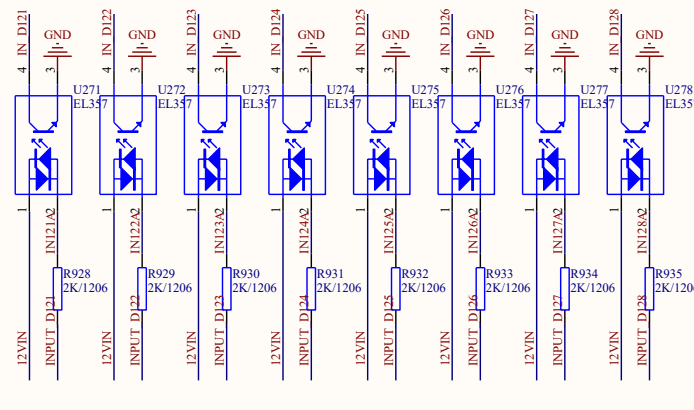
### INPUT14



### INPUT15

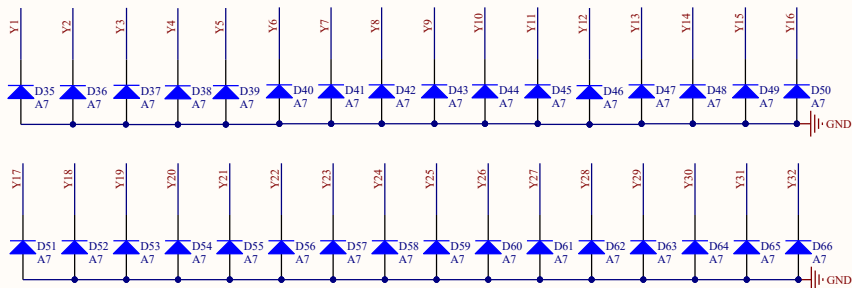
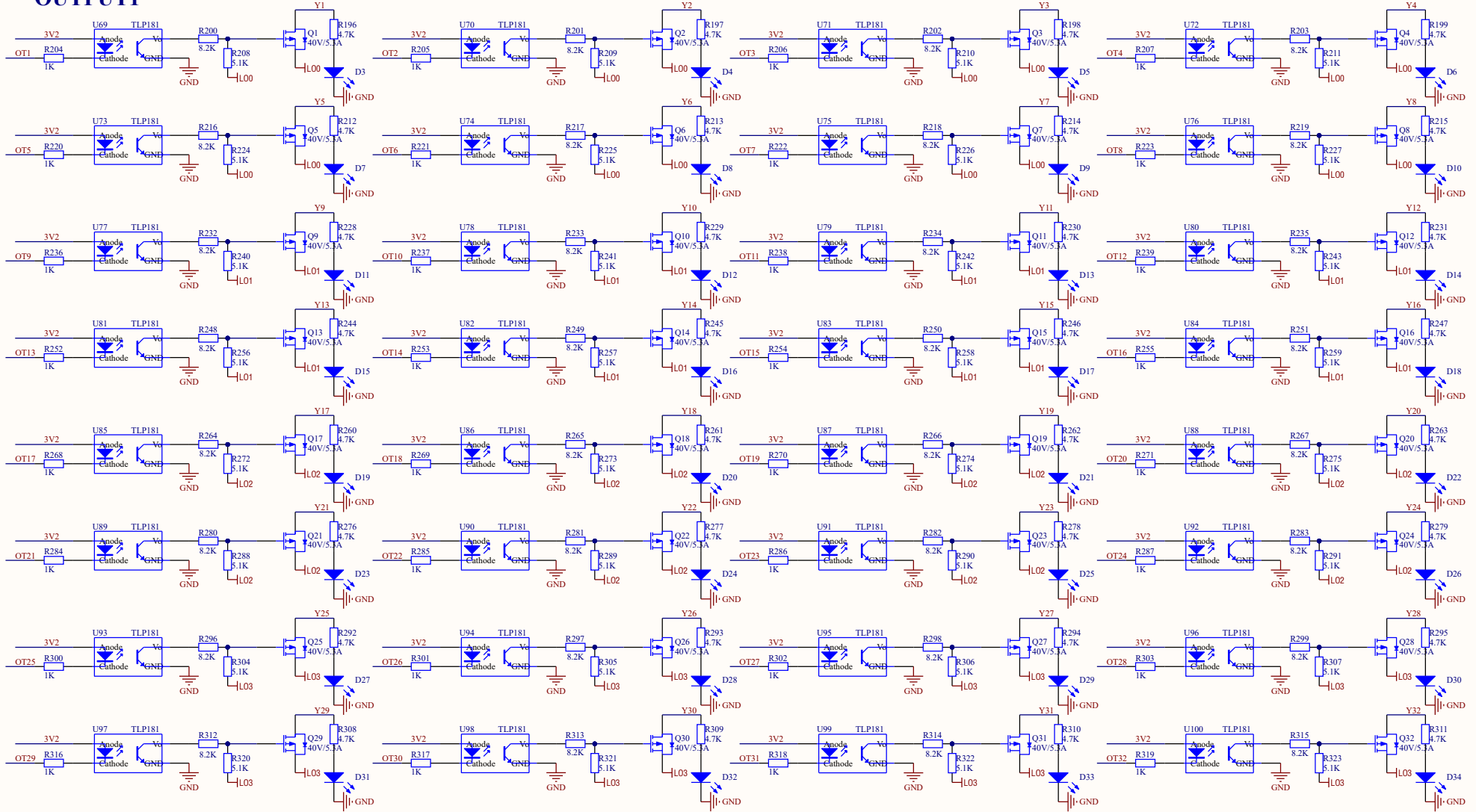


### INPUT16



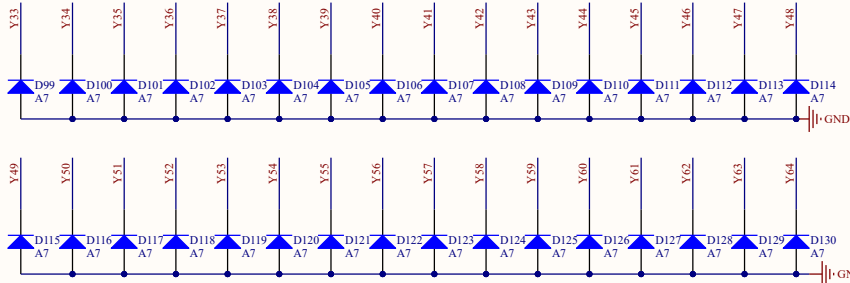
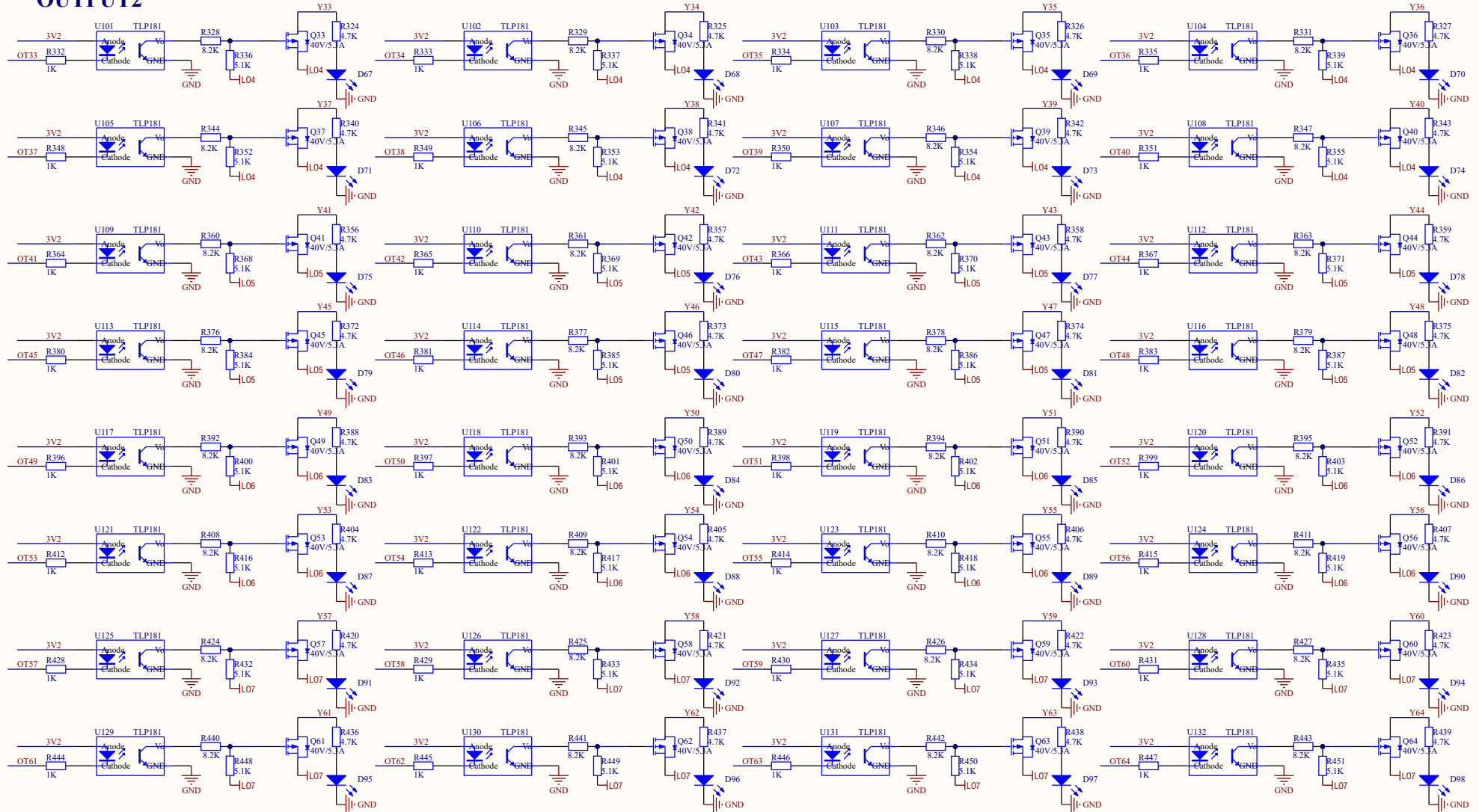
Title		
Size	Number	Revision
A3		
Date:	8/05/2022	Sheet of
File:	D:\KC868-A128\INPUT4.SchDoc	Drawn By: <b>KinCony</b>

# OUTPUT1



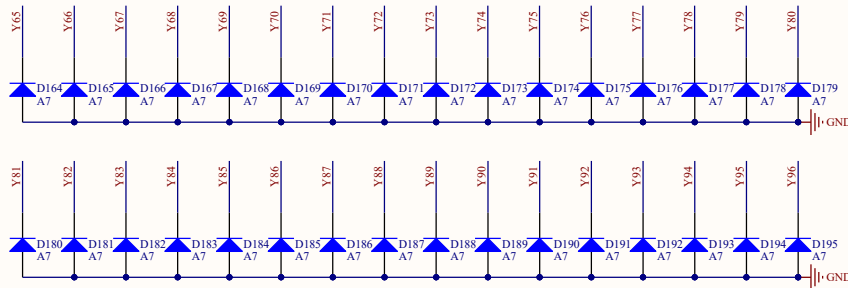
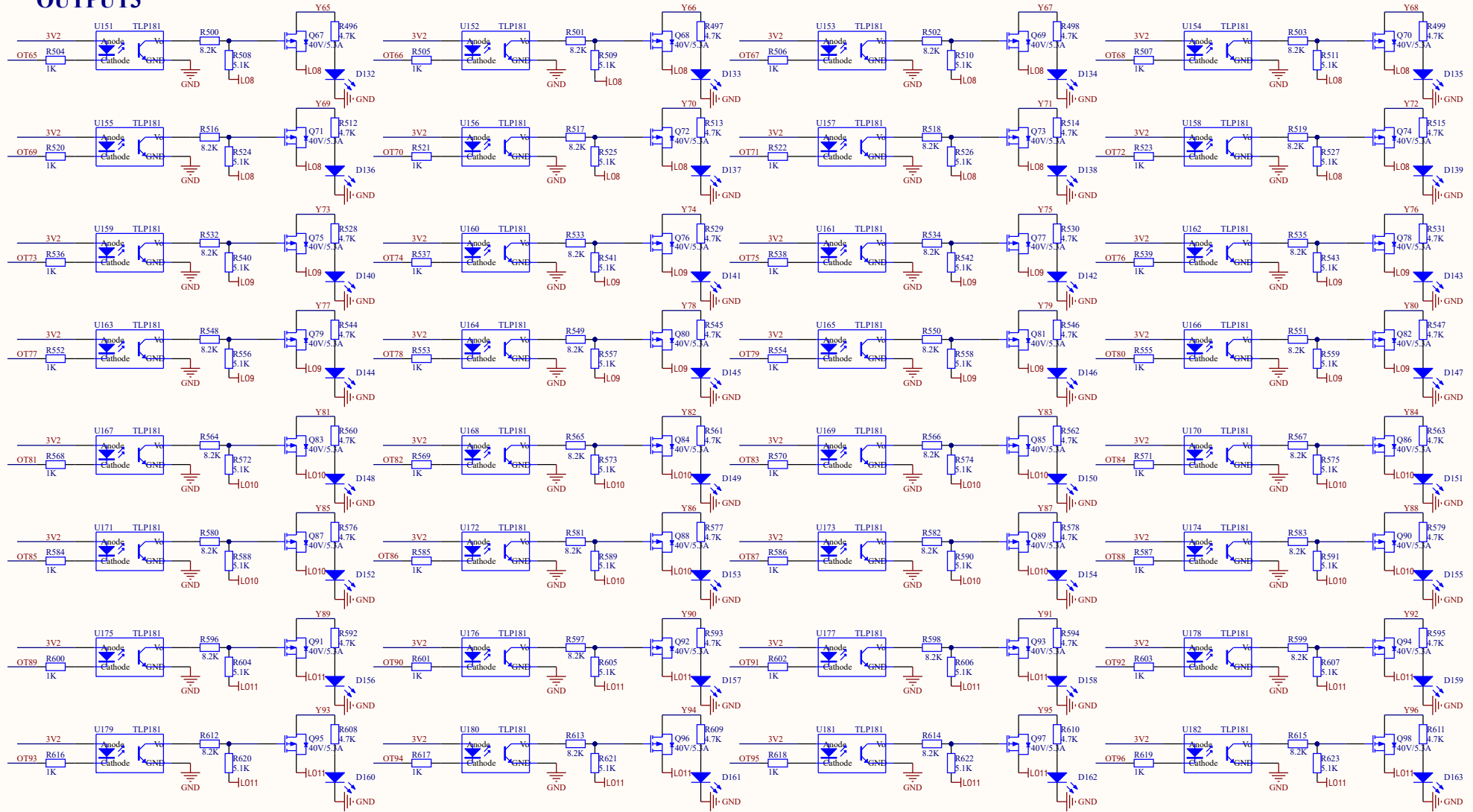
Title		
Size	Number	Revision
Date:	8/05/2022	Sheet of
File:	D:\KC868-A128\...OUTPUT1.SchDoc	Drawn By: <b>KinCony</b>

# OUTPUT2



Title		
Size	Number	Revision
A3		
Date:	8/05/2022	Sheet of
File:	D:\KC868-A128\OUTPUT2.SchDoc	Drawn By: KinCony

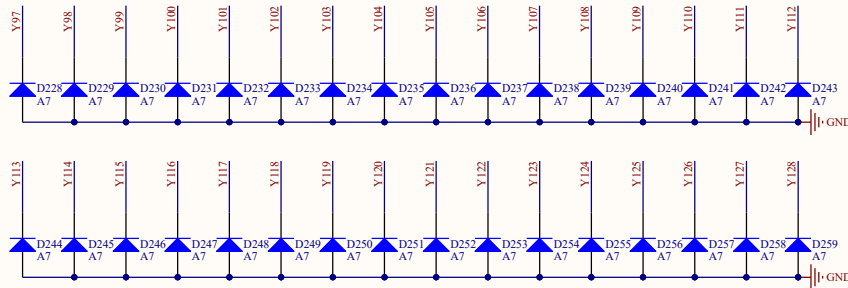
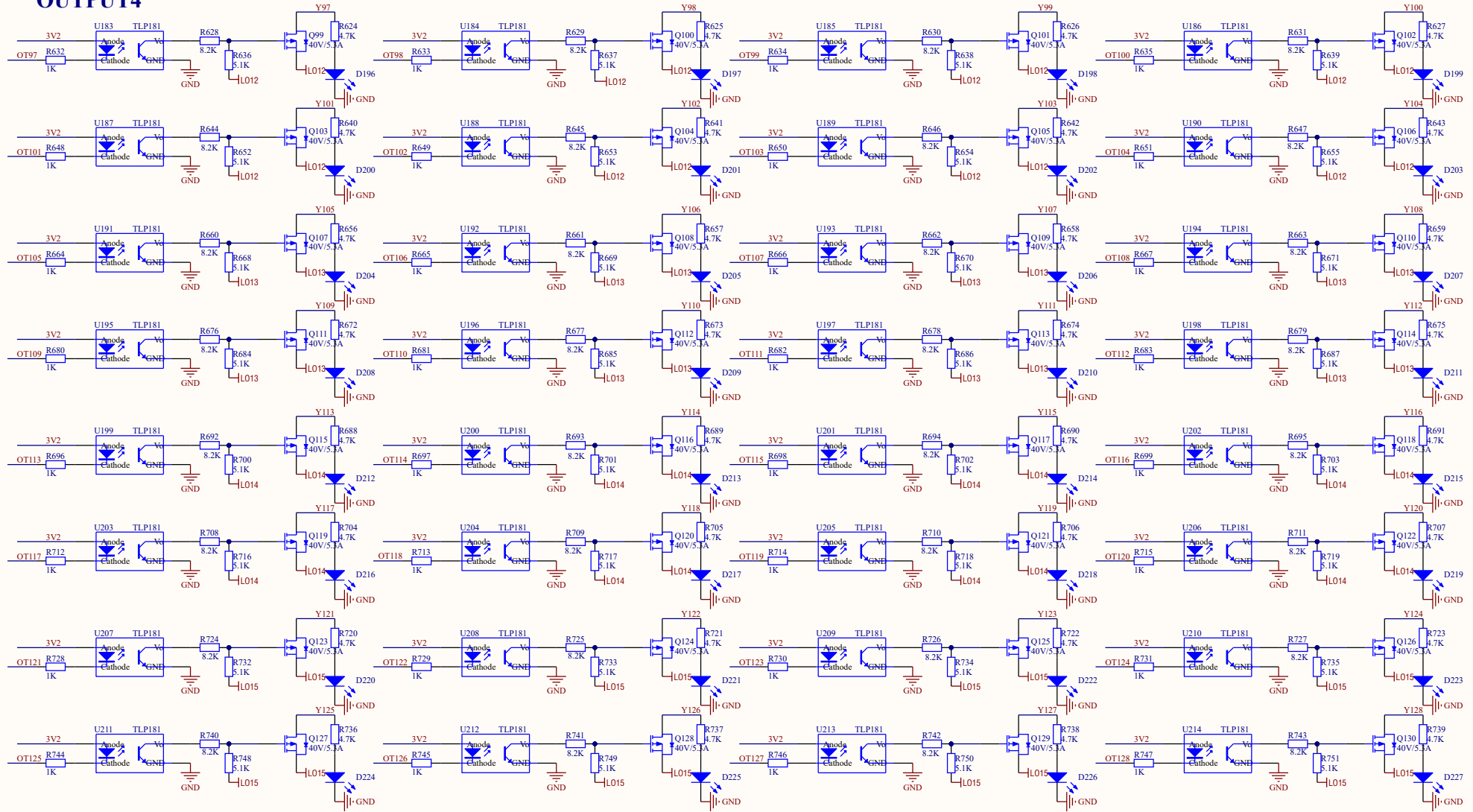
# OUTPUT3



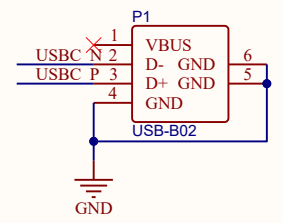
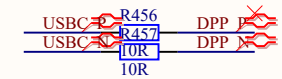
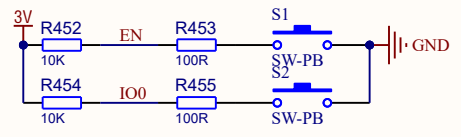
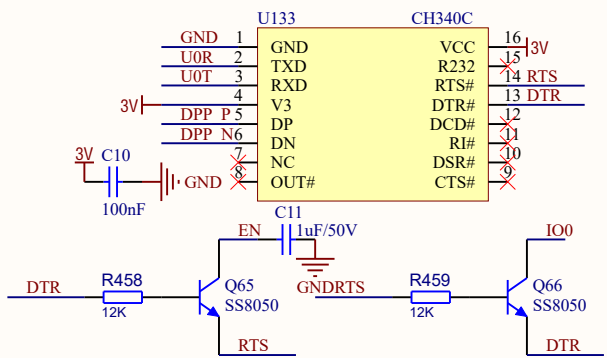
Title		
Size	Number	Revision
A3		
Date:	8/05/2022	Sheet of
File:	D:\KC868-A128\OUTPUT3.SchDoc	Drawn By: <b>KinCony</b>



# OUTPUT4

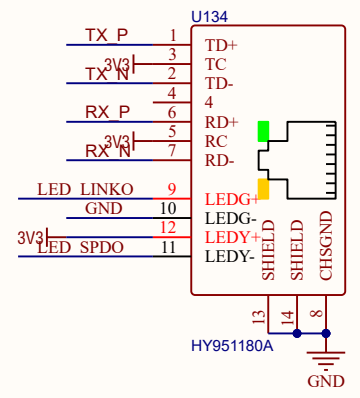
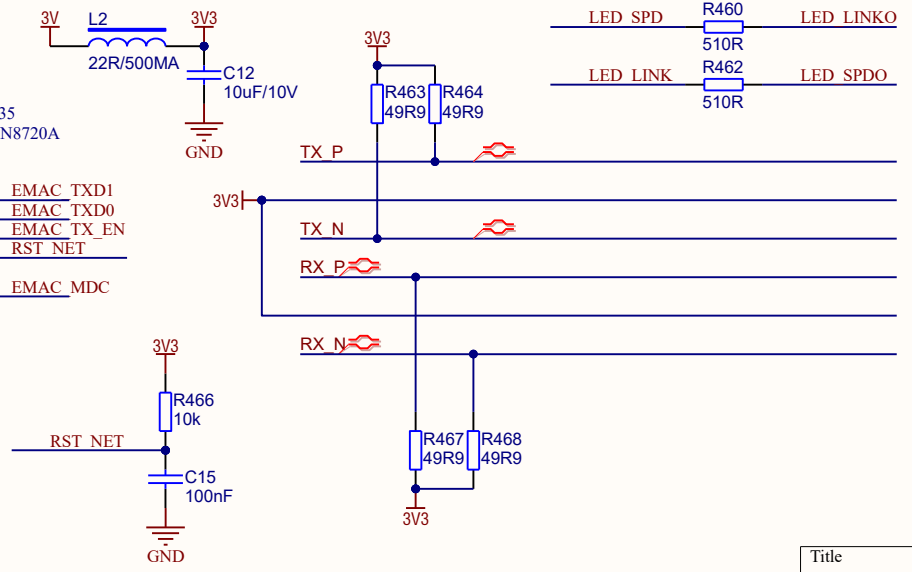
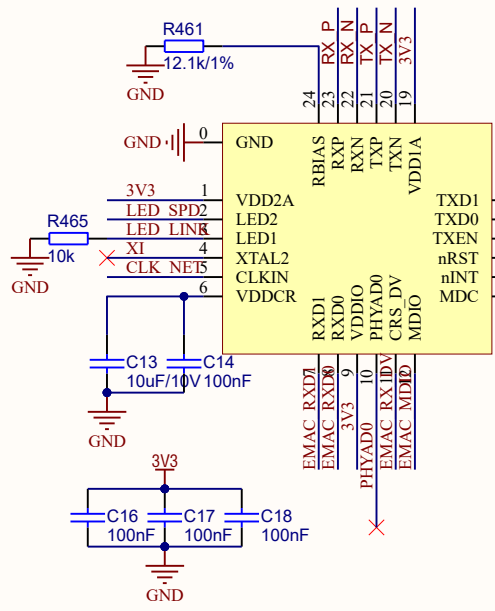


Title		
Size	Number	Revision
A3		
Date:	8/05/2022	Sheet of
File:	D:\KC868-A128\OUTPUT4.SchDoc	Drawn By: <b>KinCony</b>



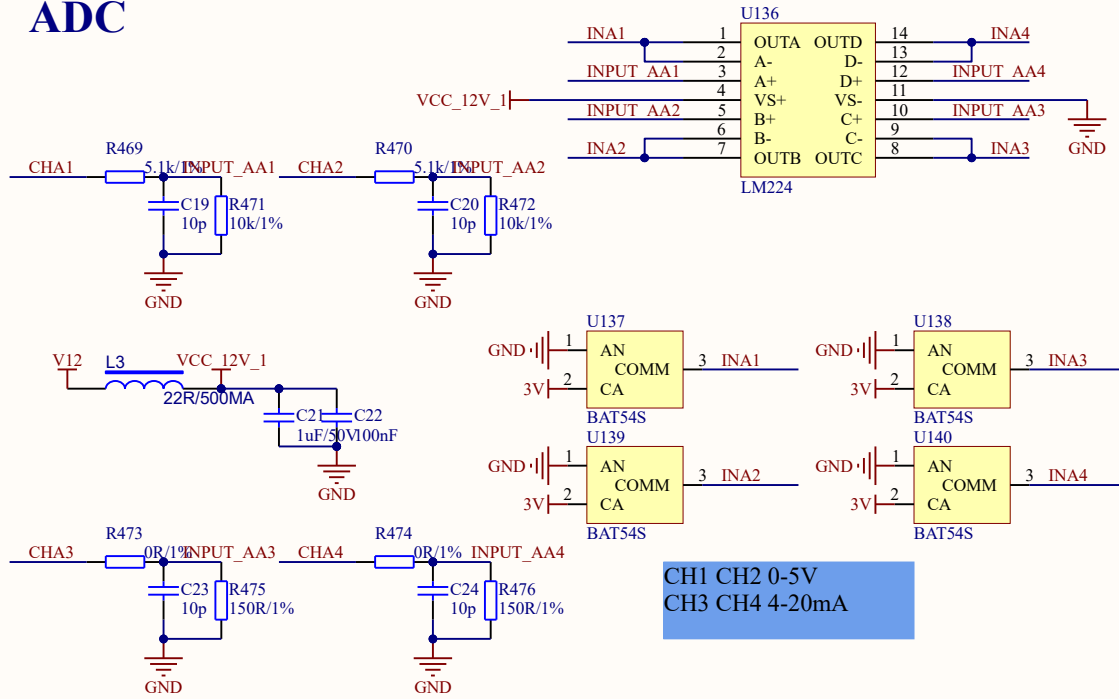
### Prog./RST BUTTON

### ETHERNET



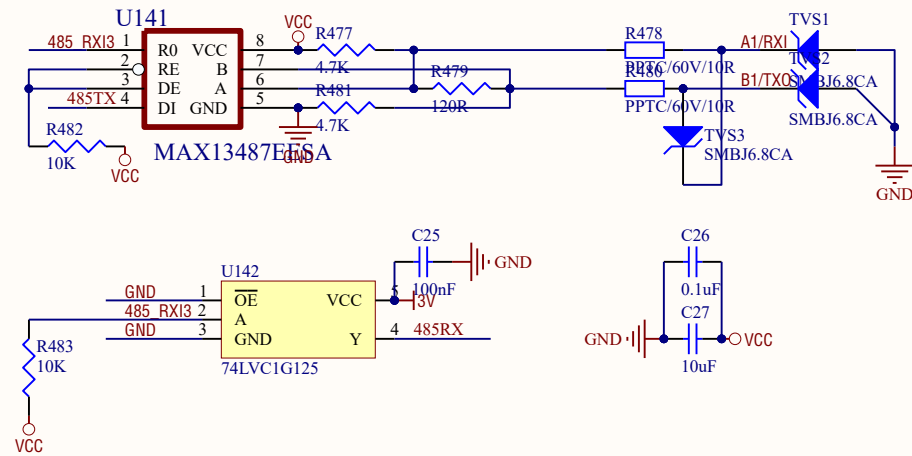
Title		
Size	Number	Revision
A4		
Date:	8/05/2022	Sheet of
File:	D:\KC868-A128\ETHERNET.SchDoc	Drawn By: KinCony

# ADC



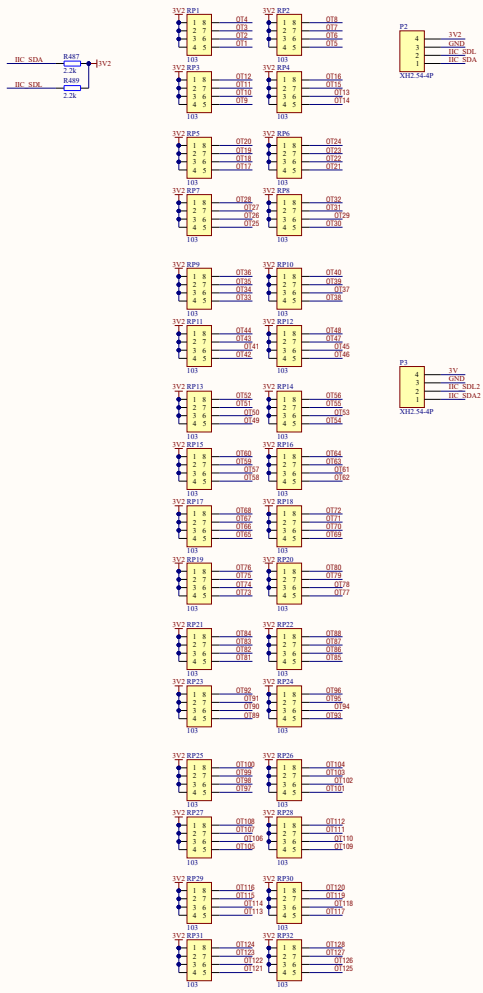
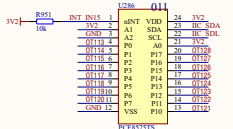
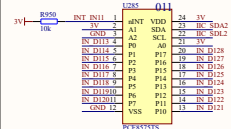
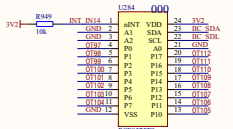
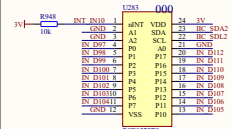
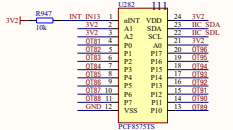
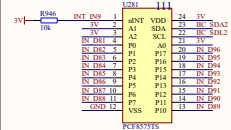
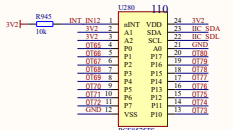
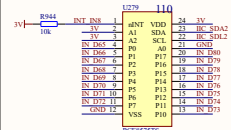
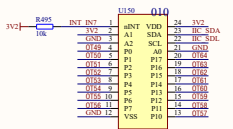
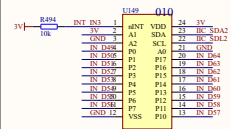
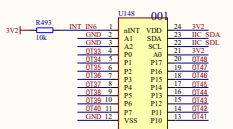
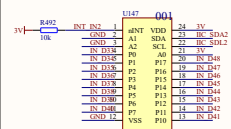
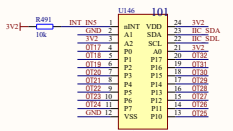
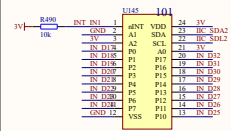
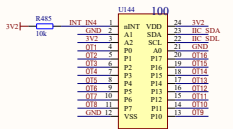
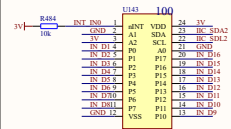
CH1 CH2 0-5V  
CH3 CH4 4-20mA

# RS485

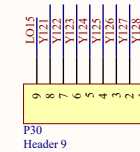
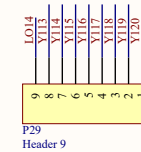
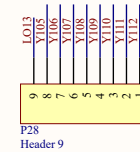
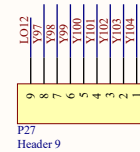
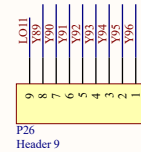
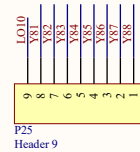
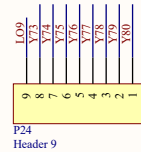
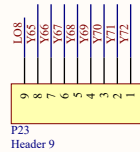
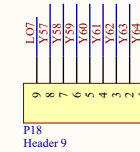
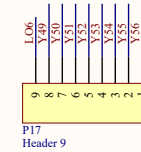
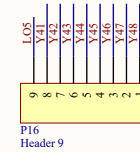
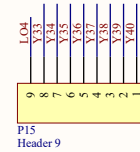
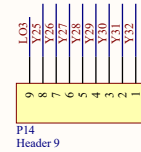
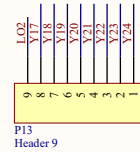
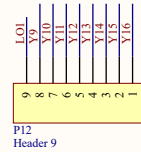
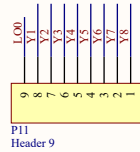
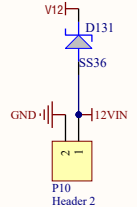
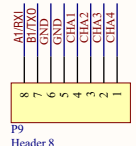
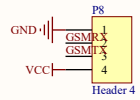
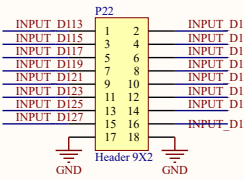
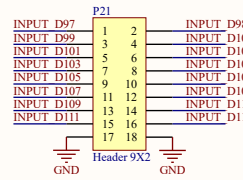
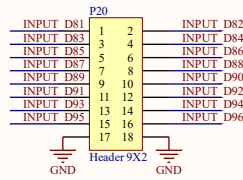
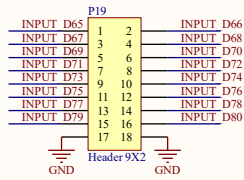
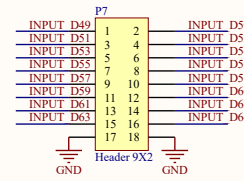
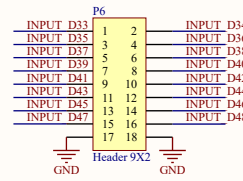
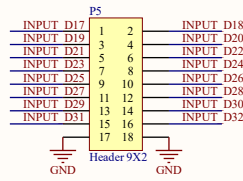
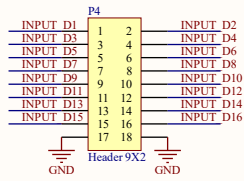


Title		
Size	Number	Revision
A4		
Date:	8/05/2022	Sheet of
File:	D:\KC868-A128\ADC485.SchDoc	Drawn By: KinCony

PCF8575TS



Title		
Size	Number	Revision
A3		
Date:	8/02/2024	Sheet of
File: D:\R\308\A128 - HC-Sa8bbs		Drawn by: kcf.com



Title		
Size	Number	Revision
A4		
Date:	8/05/2022	Sheet of
File:	D:\KC868-A128\INTERFACE.SchDoc	Drawn By: KinCony