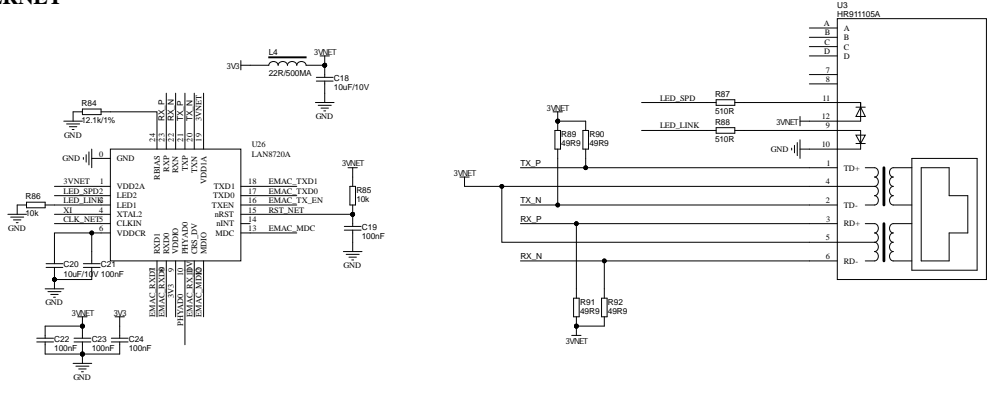
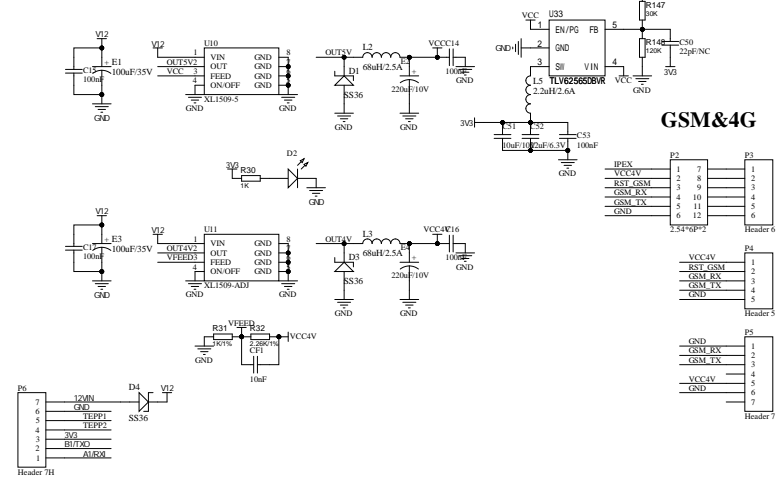


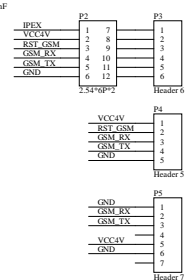
ETHERNET



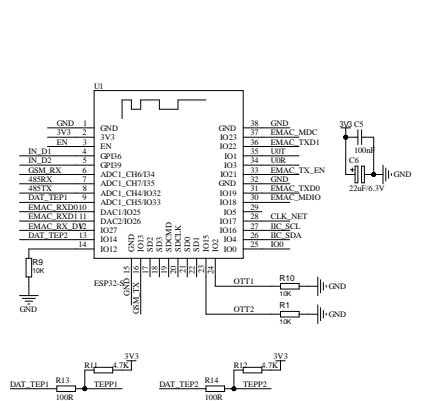
POWER



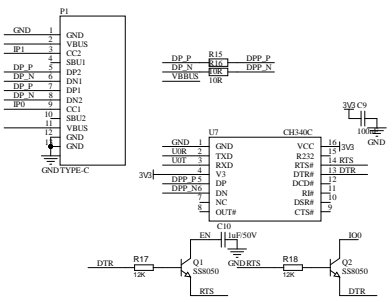
GSM&4G



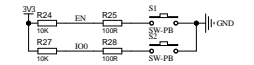
ESP32



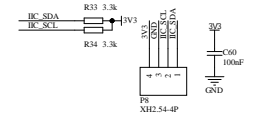
AutoProg



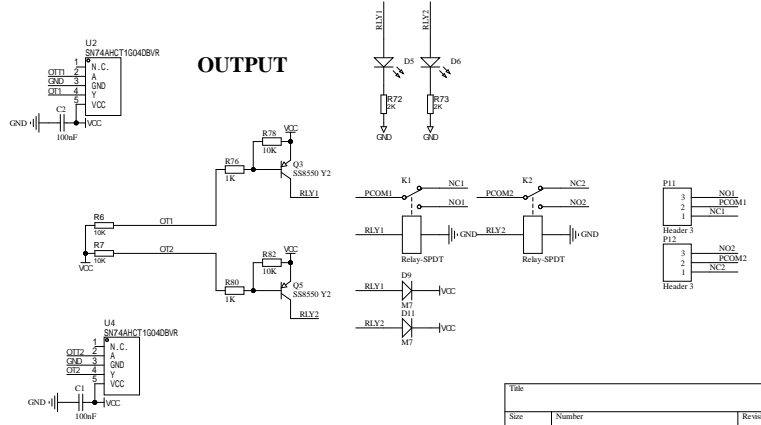
Prog./RST BUTTON



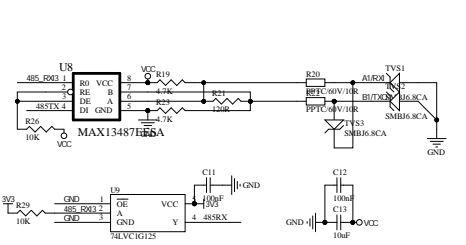
I2C



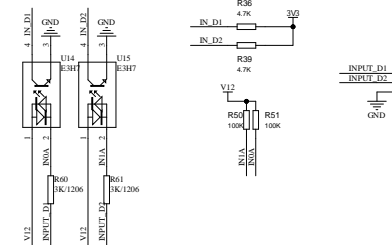
OUTPUT



RS485



INPUT



| Size | Number | Revision |
|-------|-------------------------------|-----------|
| A2 | | |
| Date: | 11/25/2023 | Sheet of |
| File: | G:\K668-A2\K668-A2V2.1.SchDoc | Drawn By: |