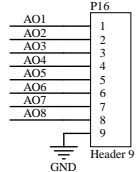
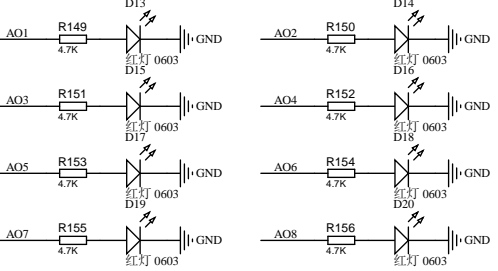
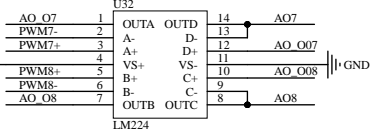
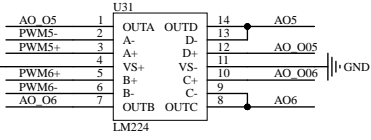
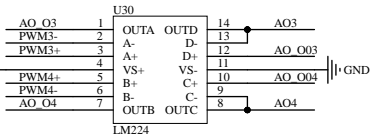
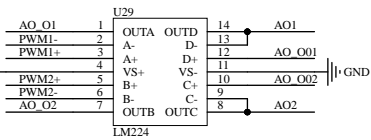
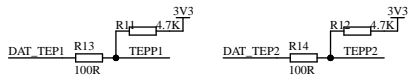
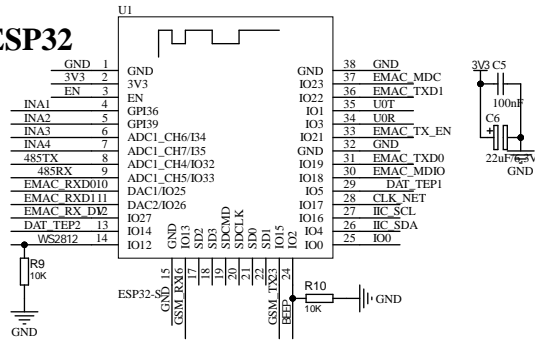


U28	
PAD0	1 A0 VDD 28 3V3
PAD1	2 A1 SDA 27 IIC_SDA
PAD2	3 A2 SCL 26 IIC_SCL
PAD3	4 A3 EXCLK 25 GND
PAD4	5 A4 24 GND
PAD5	6 A5 23 GND
PWM8	7 LED0 uOE 22 PWM16
PWM7	8 LED1 LED15 21 PWM15
PWM6	9 LED2 LED14 20 PWM14
PWM5	10 LED3 LED13 19 PWM13
PWM4	11 LED4 LED12 18 PWM12
PWM3	12 LED5 LED11 17 PWM11
PWM2	13 LED6 LED10 16 PWM10
PWM1	14 LED7 LED9 15 PWM9
PAD14	15 VSS LED8

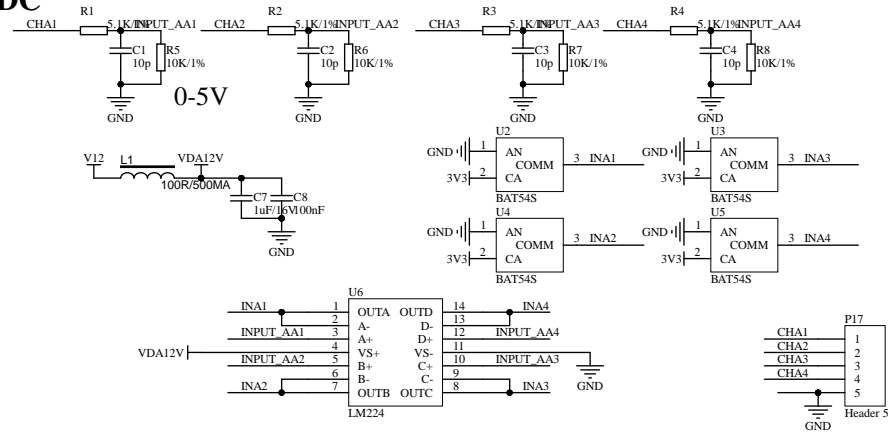


Title		
Size	Number	Revision
A3		
Date:	3/01/2023	Sheet of
File:	G:\KC868-A4S diagram\AO_SchDoc	Drawn By:

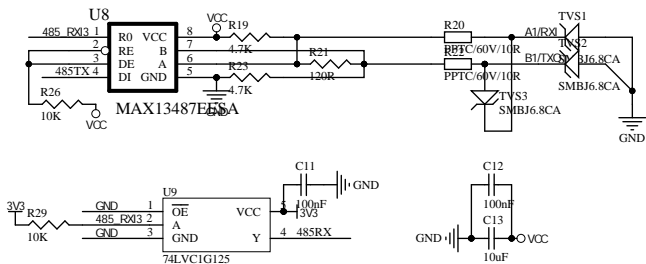
ESP32



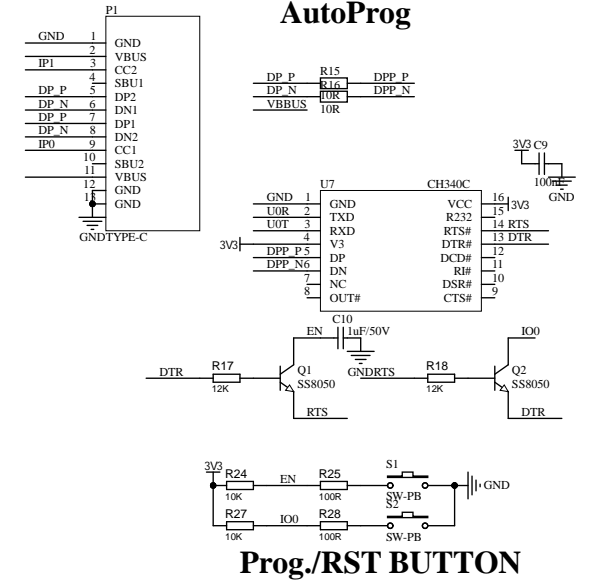
ADC



RS485



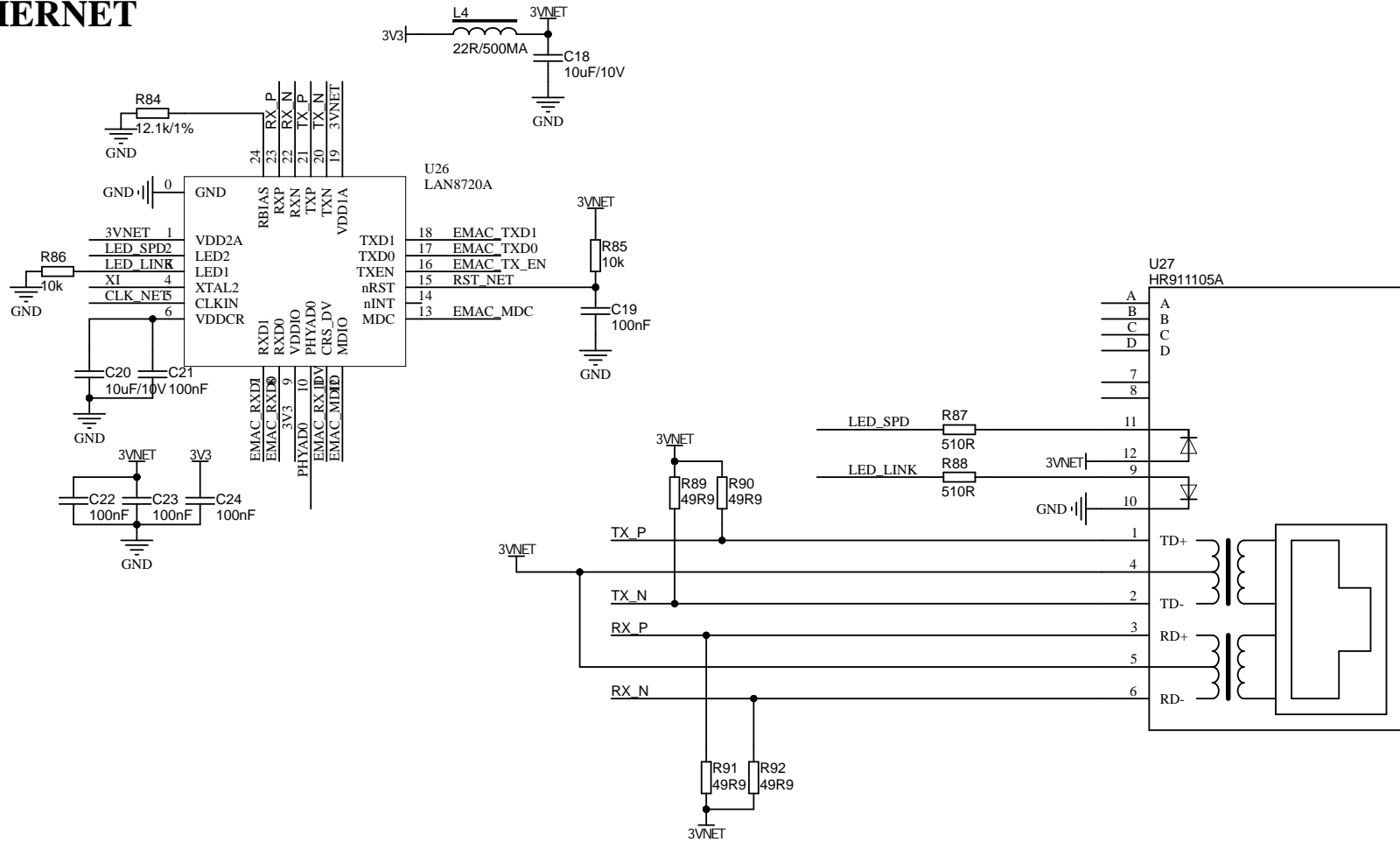
AutoProg



Prog./RST BUTTON

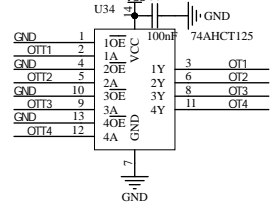
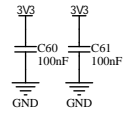
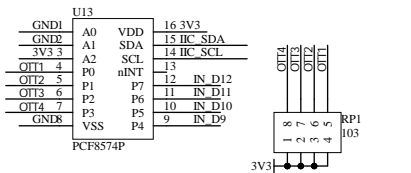
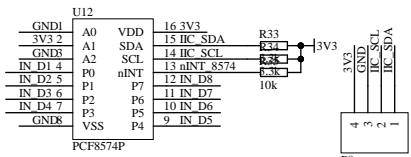
Title		
Size	Number	Revision
A3		
Date:	3/01/2023	Sheet of
File:	G:\KC868-A4S diagram\ESP32.SchDoc	Drawn By:

ETHERNET

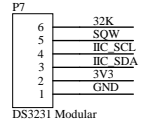


Title		
Size	Number	Revision
A4		
Date:	3/01/2023	Sheet of
File:	G:\KC868-A4S_diagram\Ethernet.SchDoc Drawn By:	

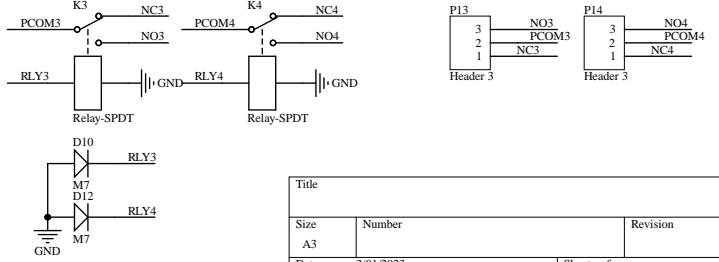
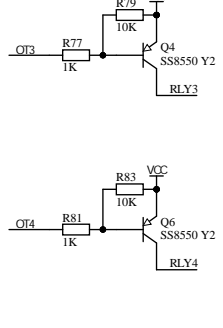
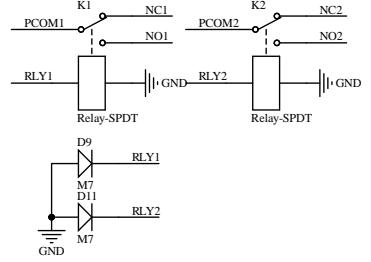
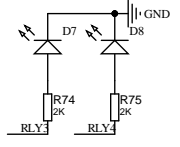
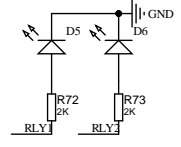
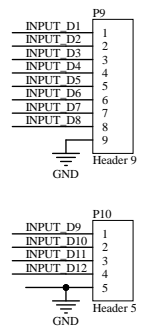
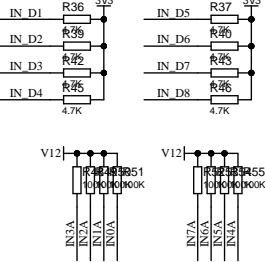
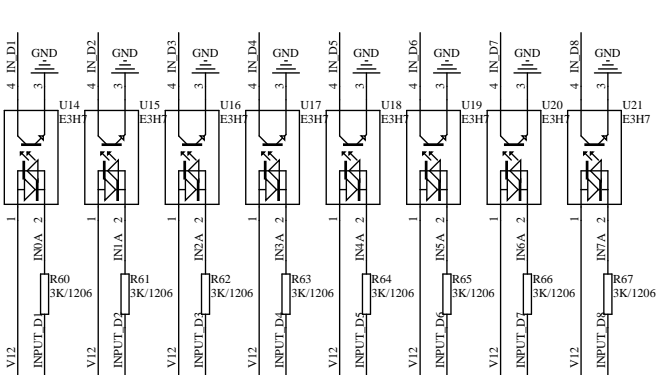
8DI4DO4DI



DS3231

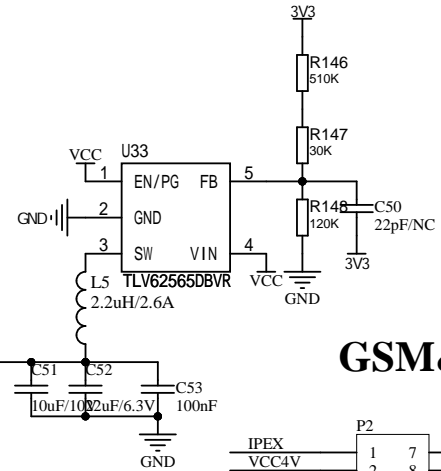
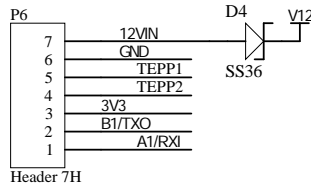
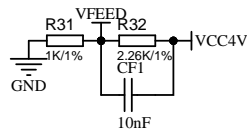
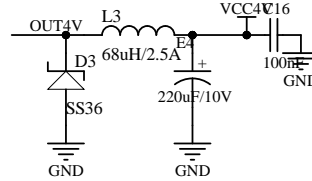
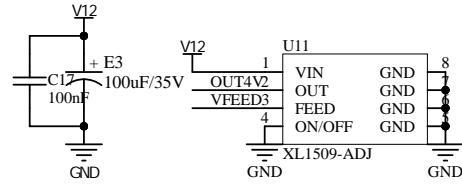
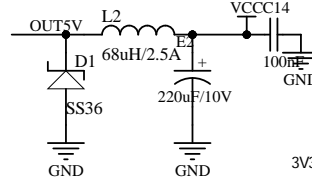
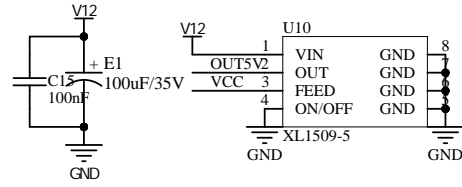


INPUT

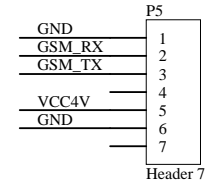
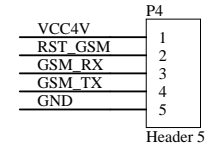
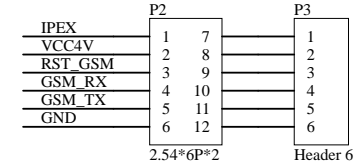


Title		
Size A3	Number	Revision
Date: 3/01/2023	Sheet of	
File: G:\KC868-A4S diagram\I2C.SchDoc	Drawn By:	

POWER



GSM&4G



Title		
Size	Number	Revision
A4		
Date:	3/01/2023	Sheet of
File:	G:\KC868-A4S_diagram\Power.SchDoc	Drawn By: