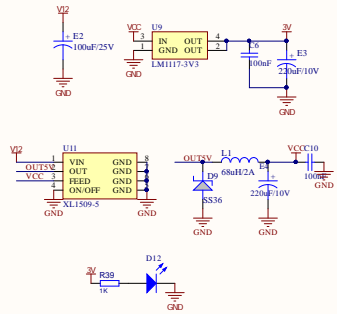
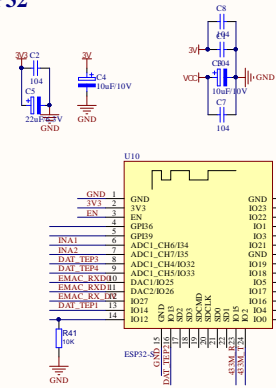


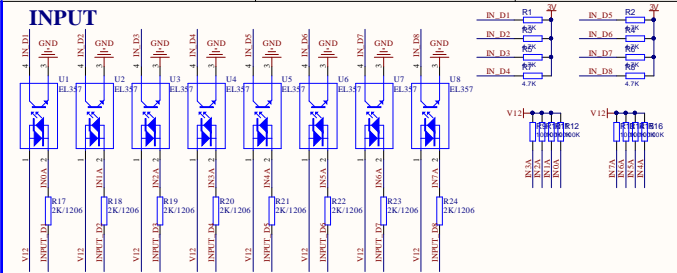
### LDO



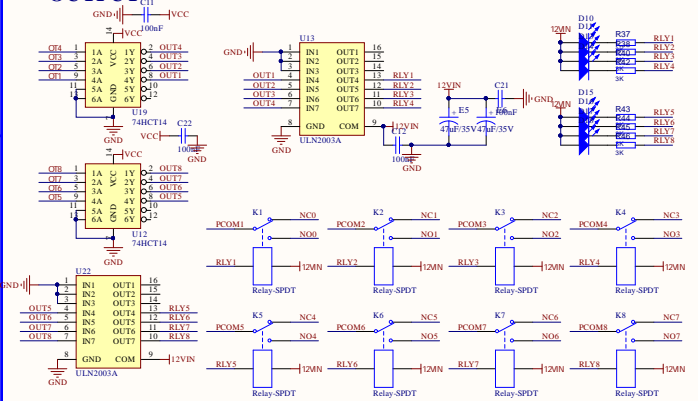
### ESP32



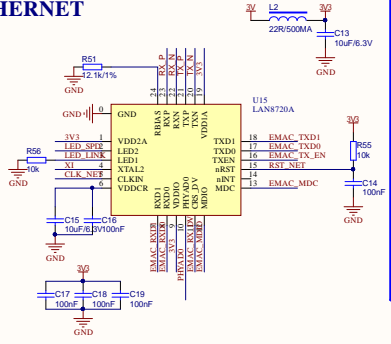
### INPUT



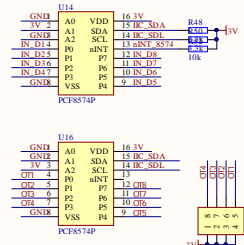
### OUTPUT



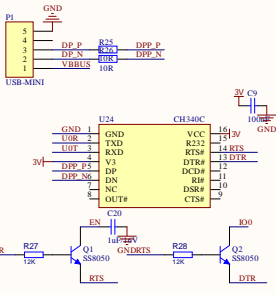
### ETHERNET



### PCF8574



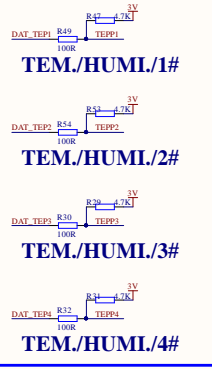
### AutoProg



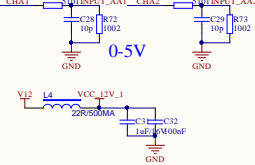
### Prog./RST BUTTON



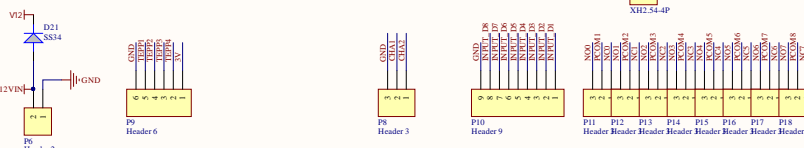
### TEM/HUMI.



### ADC



### INTERFACE



Title			
Size	Number	Revision	
A2			
Drawn	D:\35\2021	Sheet	of
File	D:\K868-AS-PC\BV1.1_SchDoc	1	Drawn By: