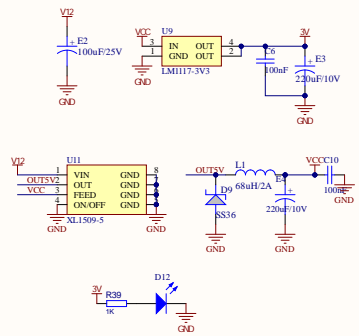
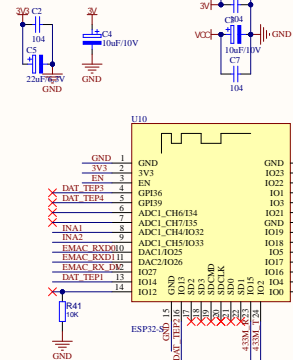


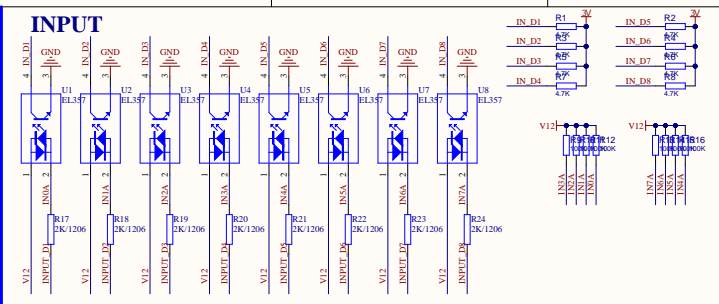
LDO



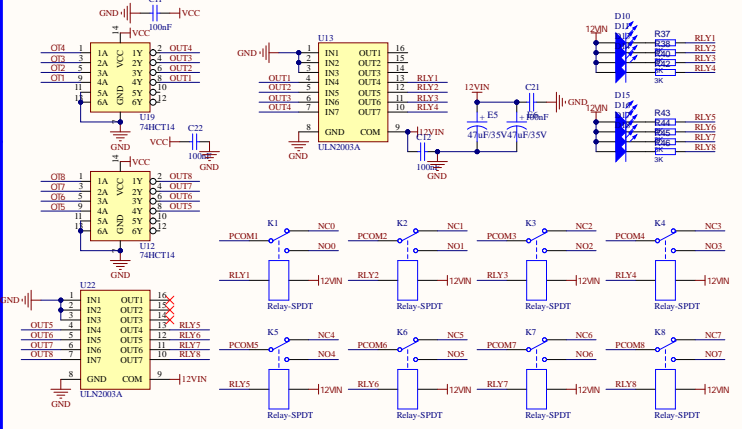
ESP32



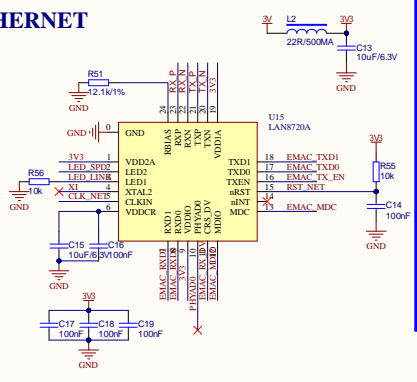
INPUT



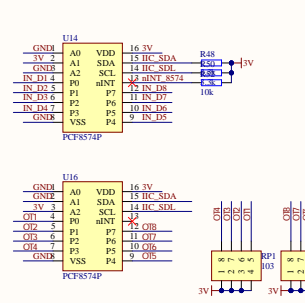
OUTPUT



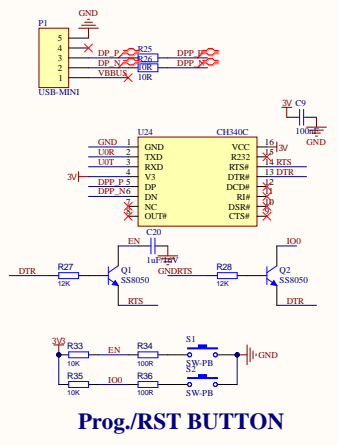
ETHERNET



PCF8574

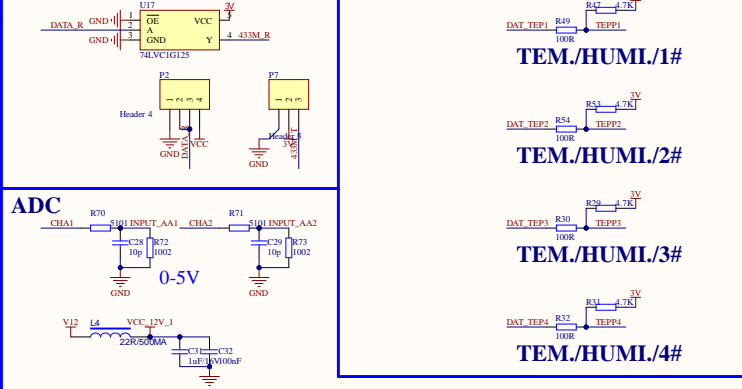


AutoProg

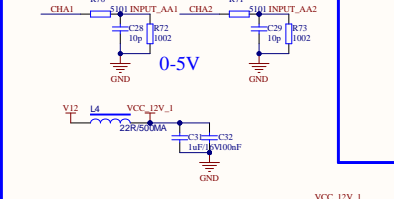


Prog./RST BUTTON

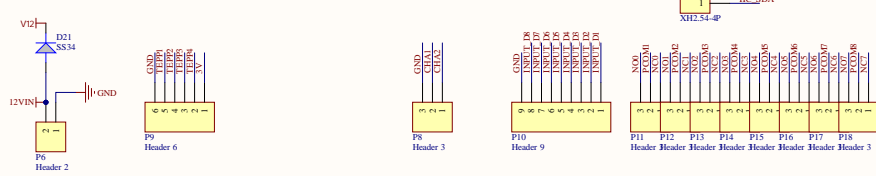
TEM/HUMI.



ADC



INTERFACE



Title		
Size	Number	Revision
File	D:\project_1\ESP32Learn\AS_SchDoc	
Date	9/16/2021	Sheet of
Drawn By:		Drawn By: