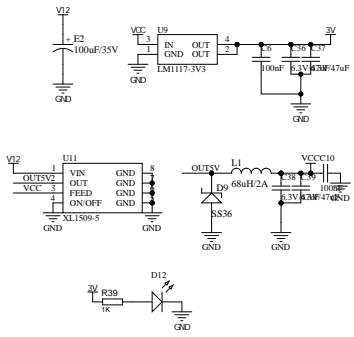
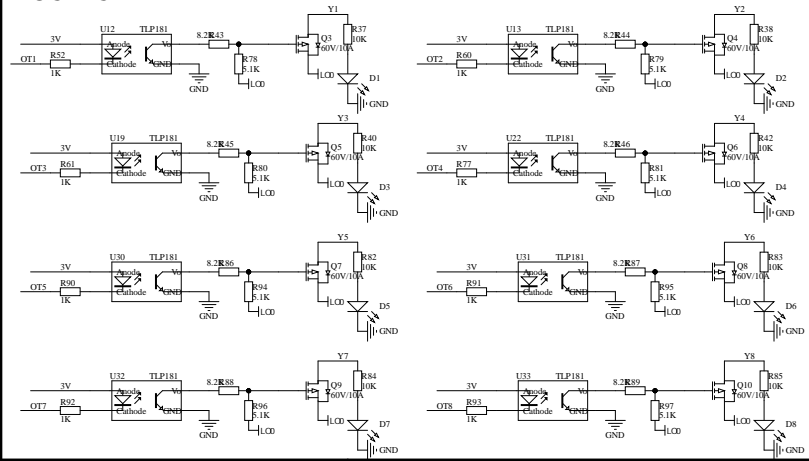


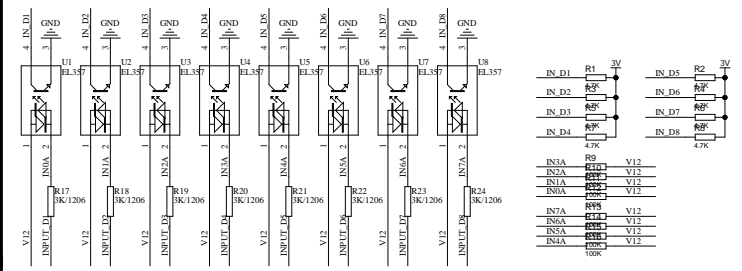
LDO



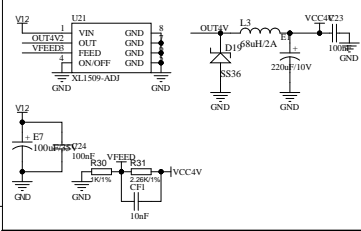
OUTPUT



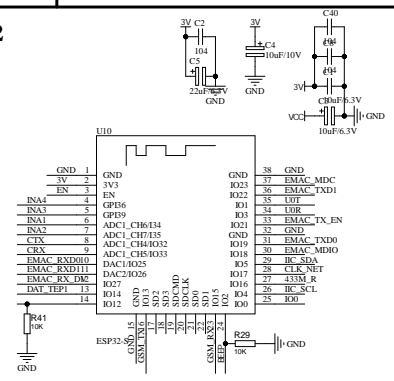
INPUT



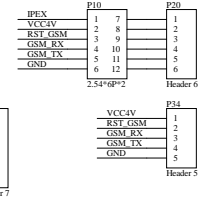
GSM POWER



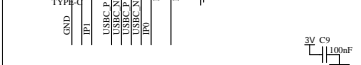
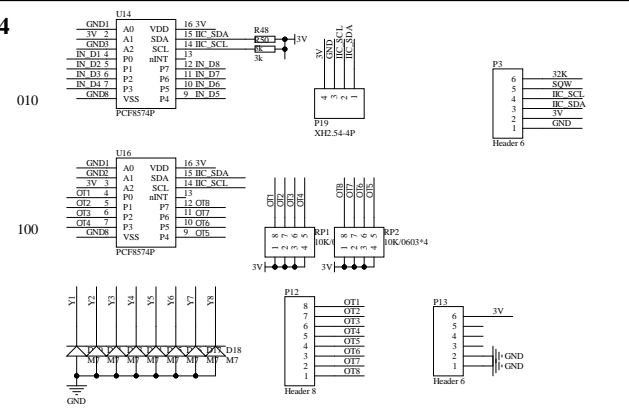
ESP32



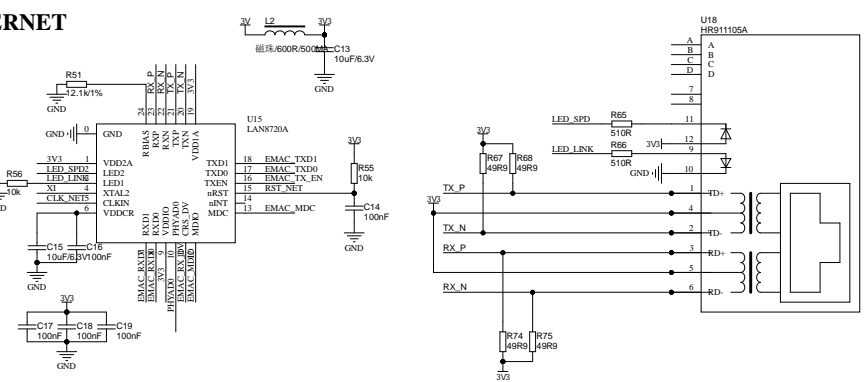
2G/4G Interface



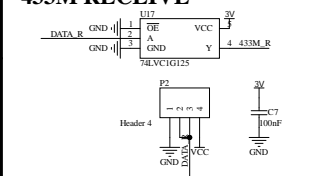
PCF8574



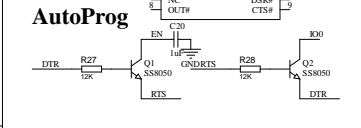
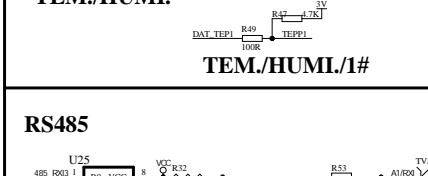
ETHERNET



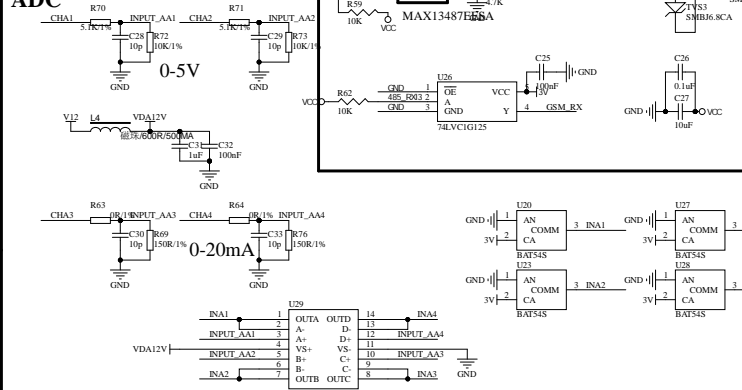
433M RECEIVE



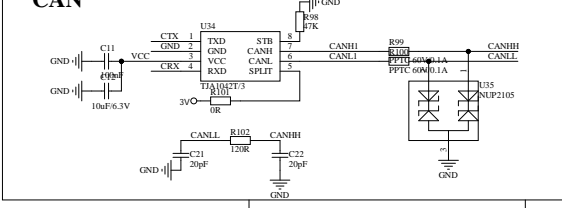
TEM./HUMI.



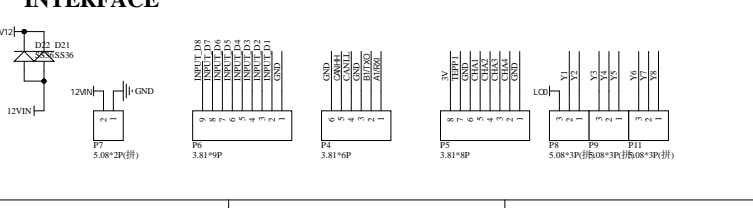
ADC



CAN



INTERFACE



Title			
Size	Number	Revision	
A2	417/0223		
Date:	G:\CK368_ASM_SchDoc	Sheet of	Drawn By:
File:			