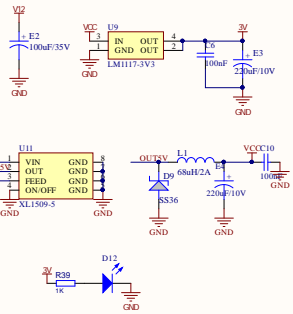
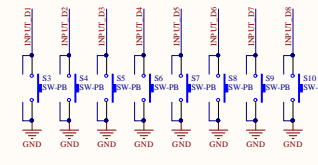
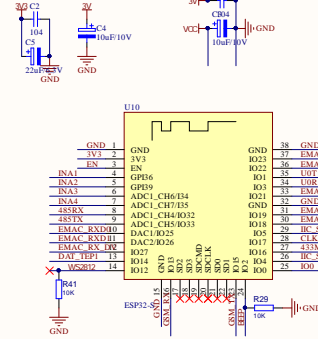


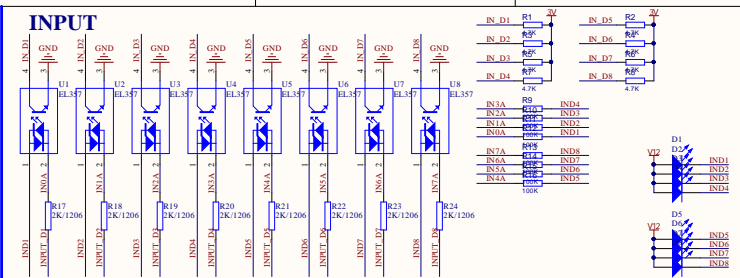
LDO



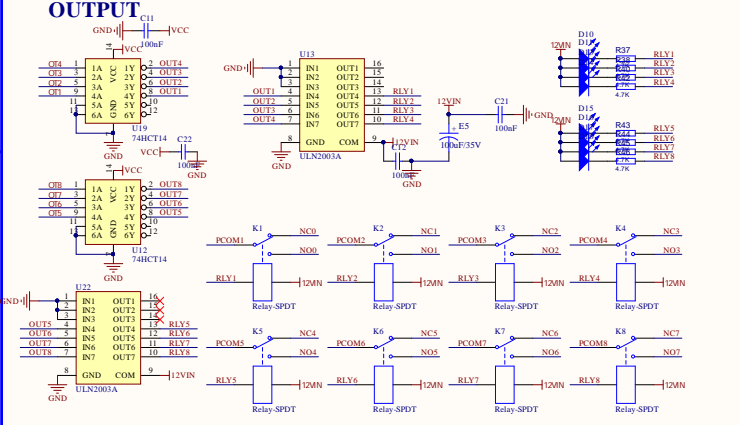
ESP32



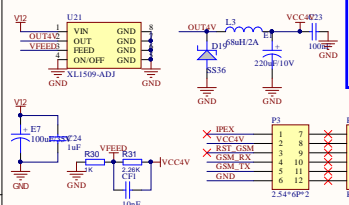
INPUT



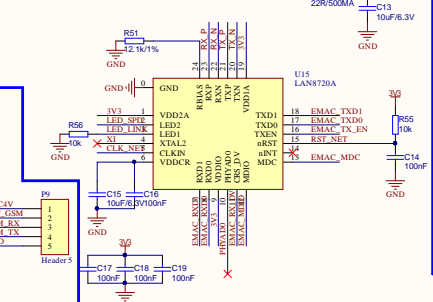
OUTPUT



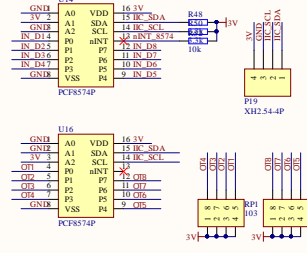
GSM



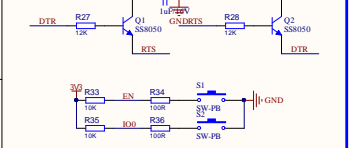
ETHERNET



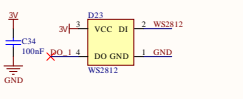
PCF8574



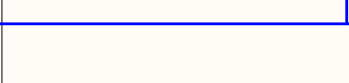
AutoProg



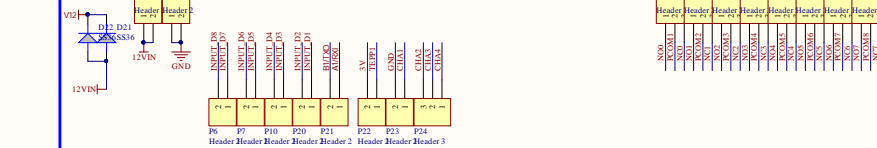
BEEP & WS2812



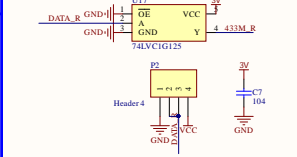
Prog./RST BUTTON



INTERFACE



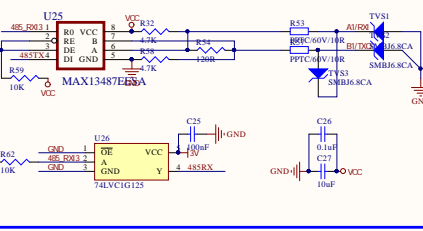
433M RECEIVE



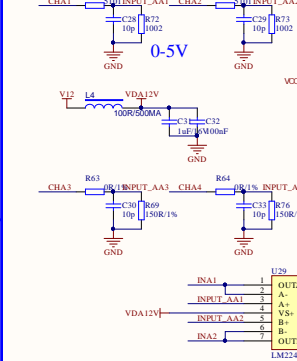
TEM/HUMI.



RS485



ADC



Size	Number	Revision
A2		
Date:	11/1/2022	Sheet
File:	G:\Kit\Gsm\K0668-ARS-V100.Sch.Dwg	Drawn By: