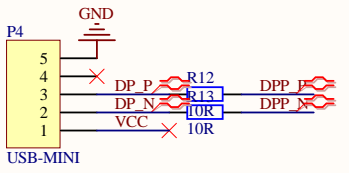
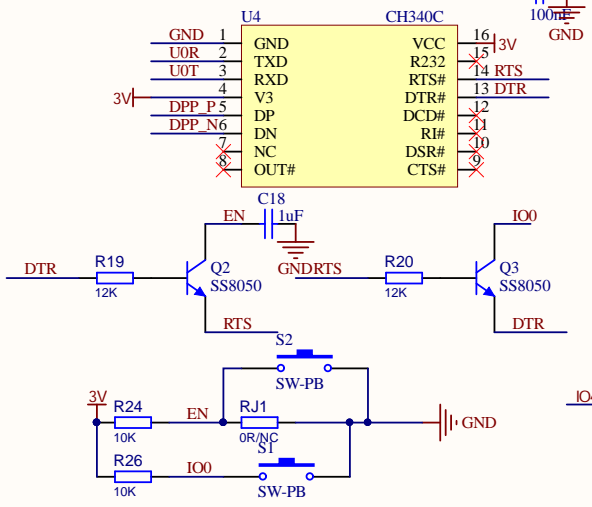


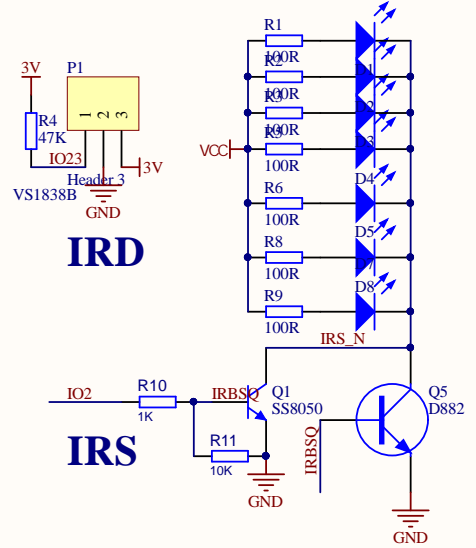
### 433M RECEIVE



### AutoProg

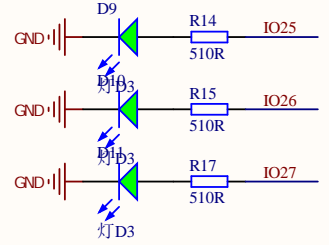
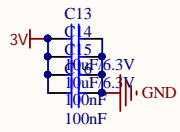


### Prog./RST BUTTON

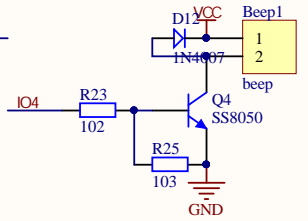


### IRD

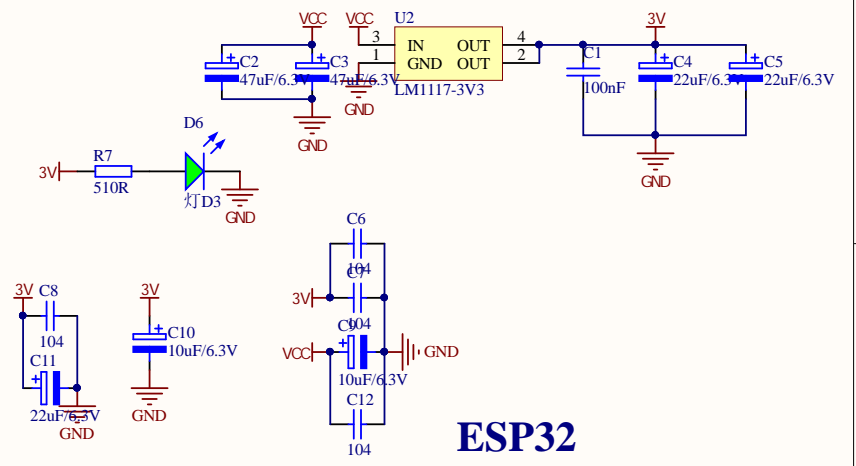
### IRS



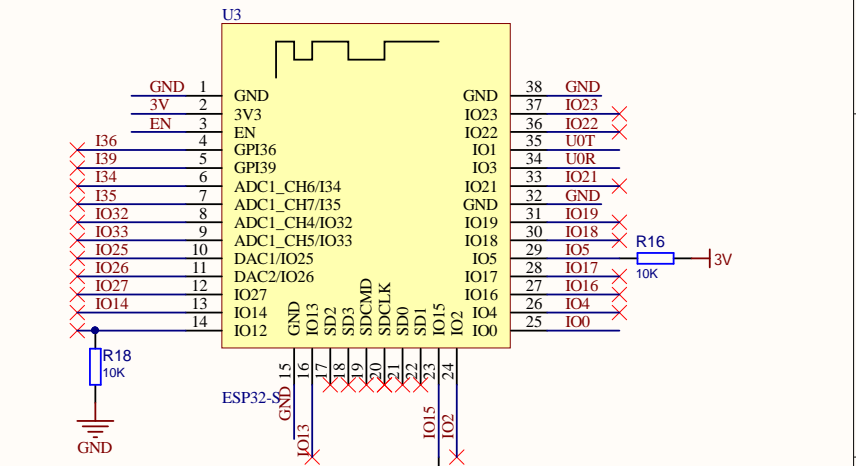
### BEEP



### LDO



### ESP32



Title		
Size	Number	Revision
A4		
Date:	3/24/2022	Sheet of
File:	G:\KC8688-AG\KC868-AG-schematic.Sch	Drawn By: