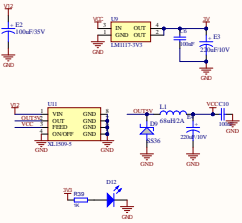
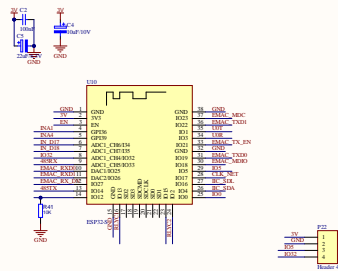


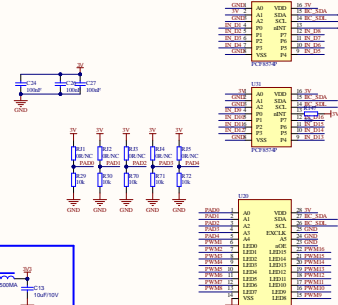
### LDO



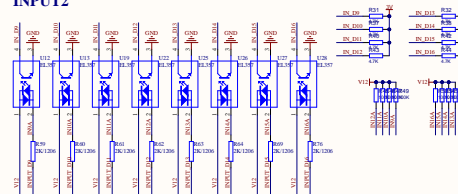
### ESP32



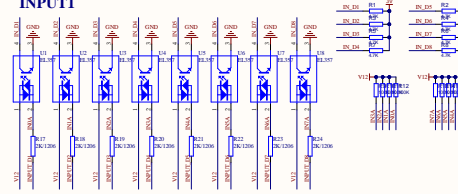
### PCF8574



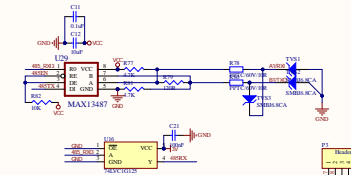
### INPUT2



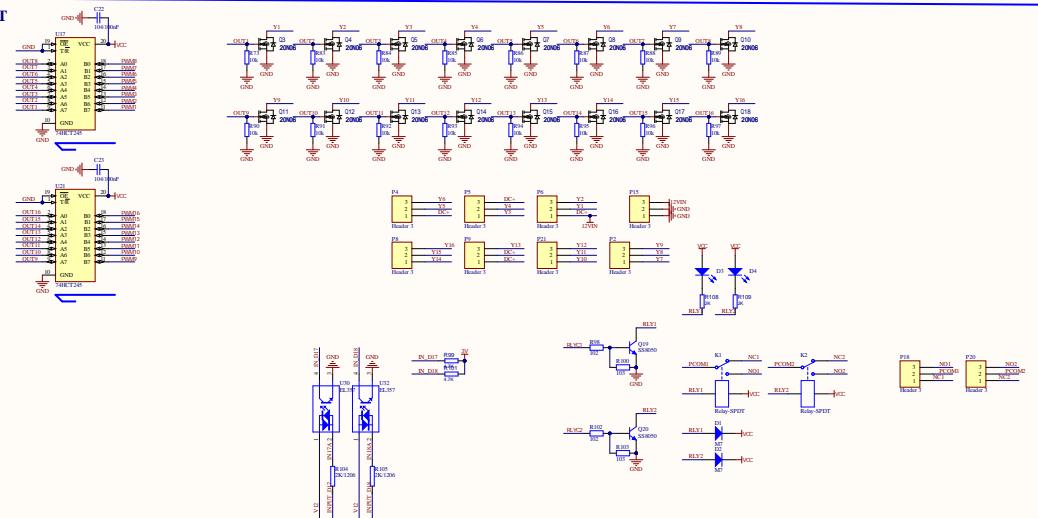
### INPUT1



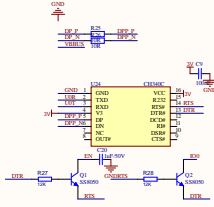
### RS485



### OUTPUT



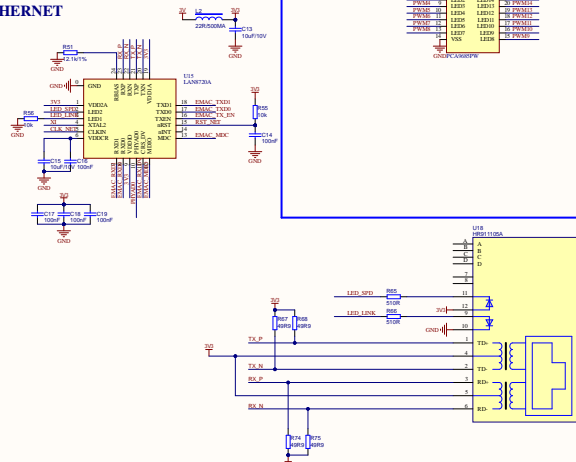
### AutoProg



### Prog./RST BUTTON



### ETHERNET



### INTERFACE



Rev.	Number	Revision
1.0	01	1.0
2.0	02	2.0
3.0	03	3.0
4.0	04	4.0
5.0	05	5.0
6.0	06	6.0
7.0	07	7.0
8.0	08	8.0
9.0	09	9.0
10.0	10	10.0
11.0	11	11.0
12.0	12	12.0