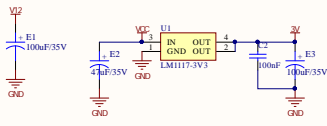
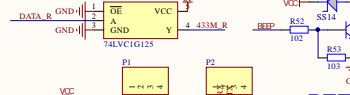


### LDO



### 433M RECEIVE



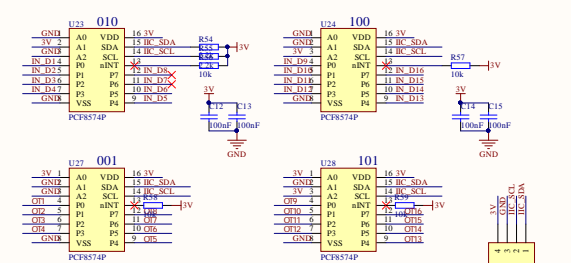
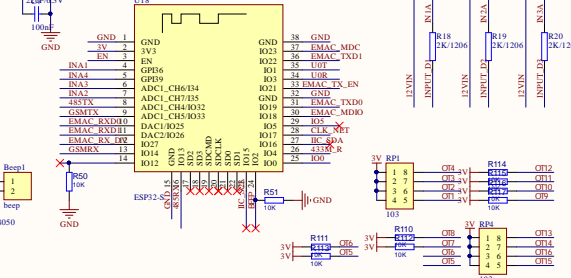
### BEEP



### HMI



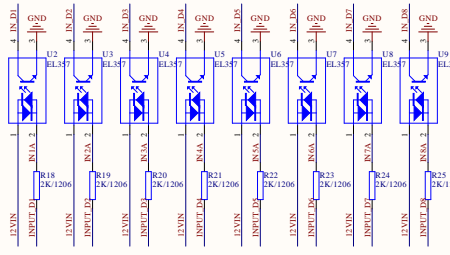
### ESP32



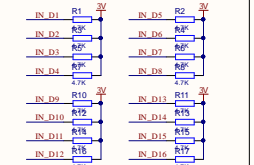
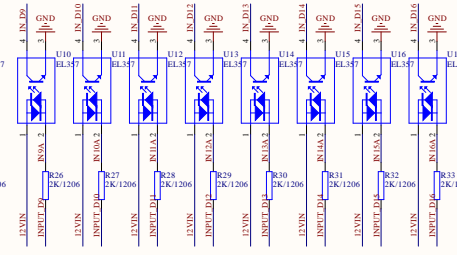
### Prog./RST BUTTON



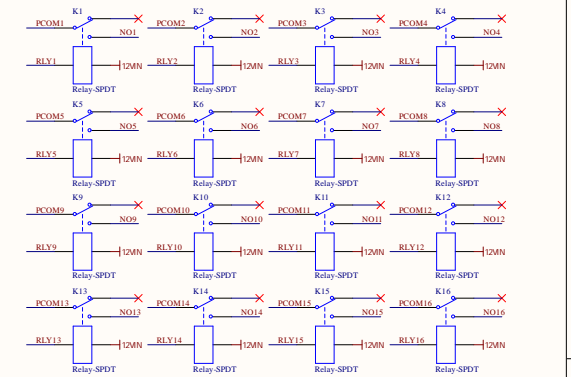
### INPUT1



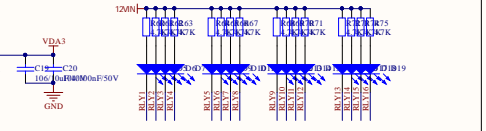
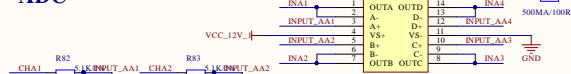
### INPUT2



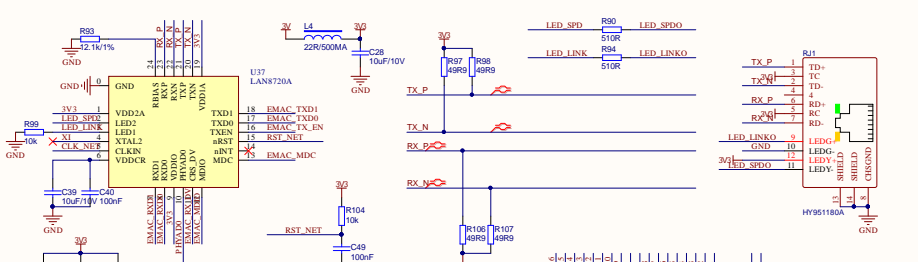
### OUTPUT



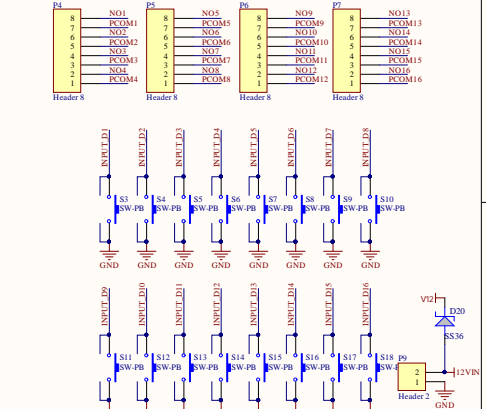
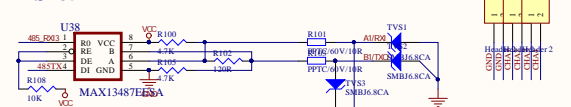
### ADC



### ETHERNET



### RS485



Title	Number	Revision
Size	A2	
Date	6/27/2022	Sheet 6 of 6
File	GR-K668-ETAS-schematic-SchDoc	Drawn By: