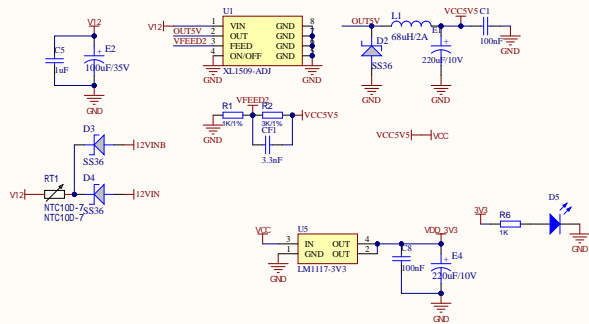
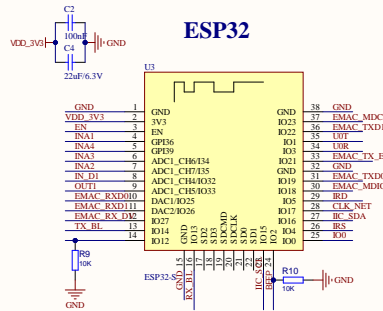


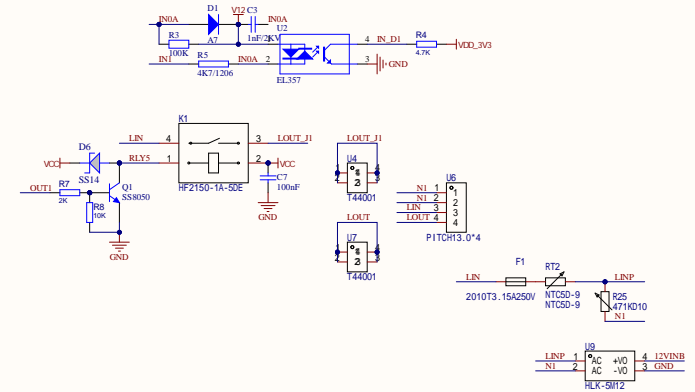
POWER LDO



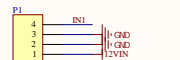
ESP32



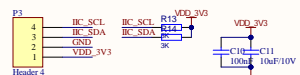
IN&OUT



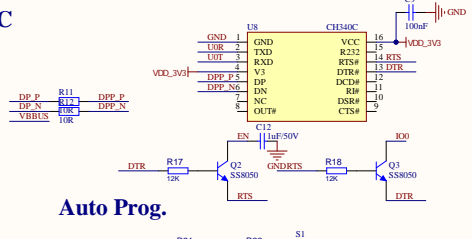
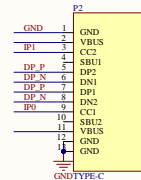
POWER_INTERFACE



IIC_EXPAND



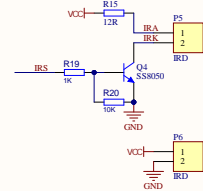
USB-TYPEC



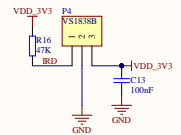
Auto Prog.



IR_Send



IRD



ETHERNET

