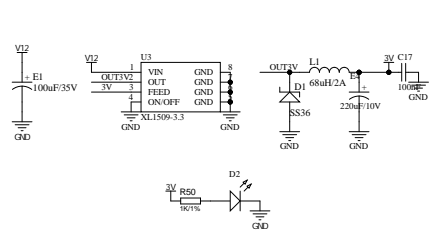
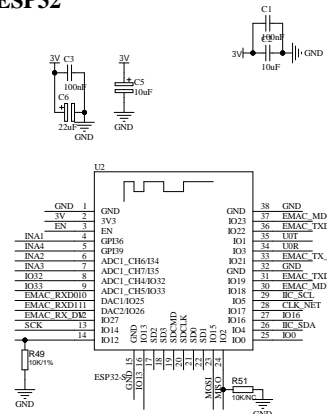


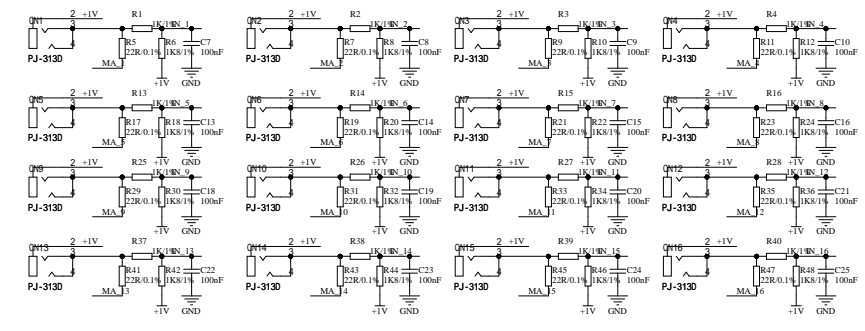
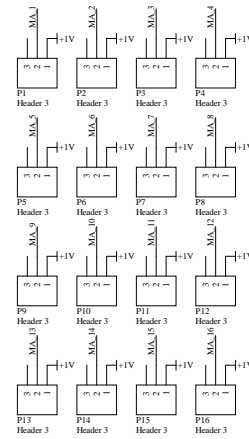
LDO



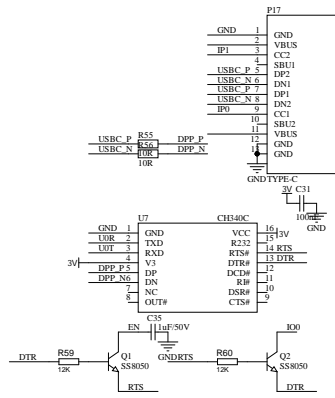
ESP32



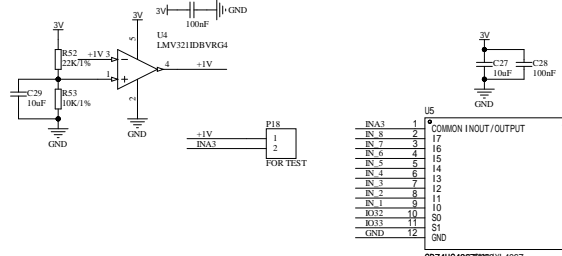
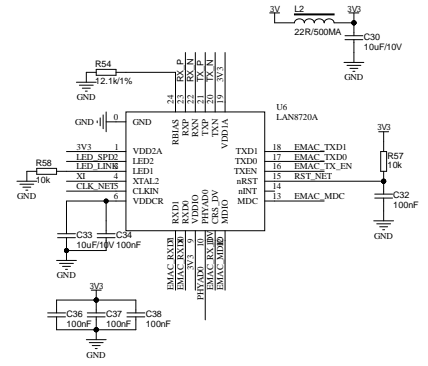
Multichannel



AutoProg

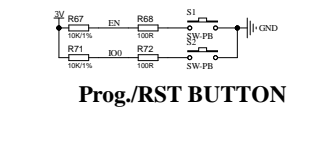


ETHERNET

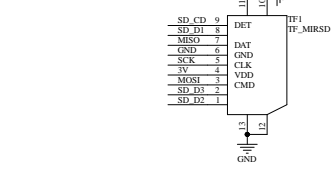


U5			
COMMON INOUT / OUTPUT			
VCC	24	3V	
IN 8	2	IN 9	
IN 7	3	IN 10	
IN 6	4	IN 11	
IN 5	5	IN 12	
IN 4	6	IN 13	
IN 3	7	IN 14	
IN 2	8	IN 15	
IN 1	9	IN 16	
R32	10	SD	
R33	11	SD	
R34	12	SD	
R35	13	SD	
R36	14	SD	
R37	15	SD	
R38	16	SD	
R39	17	SD	
R40	18	SD	
R41	19	SD	
R42	20	SD	
R43	21	SD	
R44	22	SD	
R45	23	SD	
R46	24	SD	

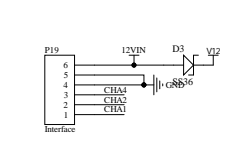
Prog./RST BUTTON



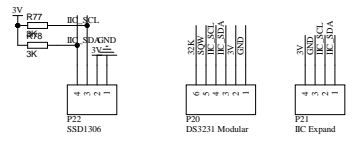
SD CARD



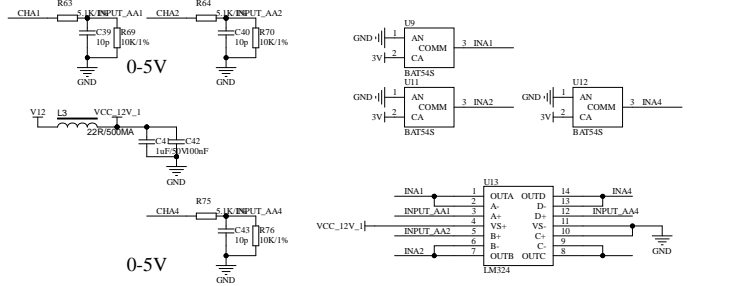
INTERFACE



IIC



ADC



Title		Revision	
Size	Number		
A2			
Date	S04/2023	Sheet of	
File	G:CK368-M16.SchDoc	Drawn By:	