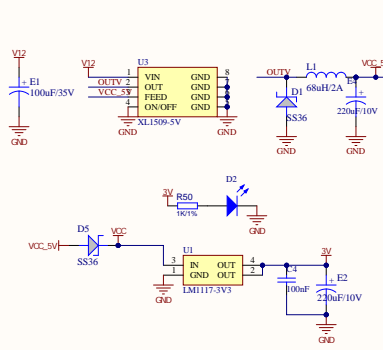
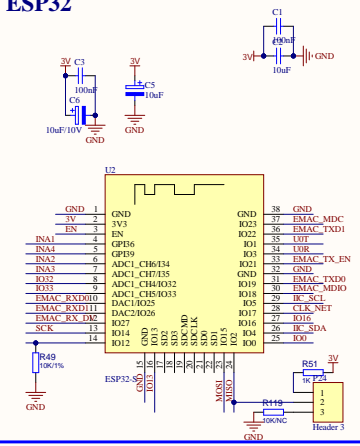


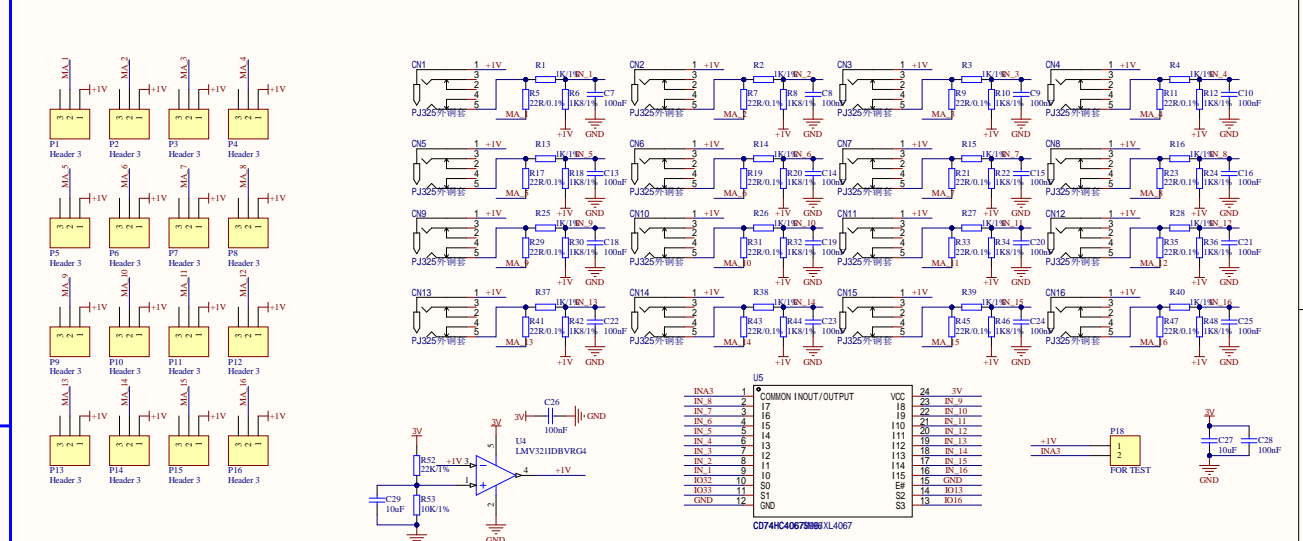
LDO



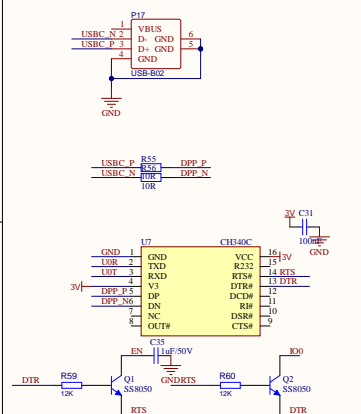
ESP32



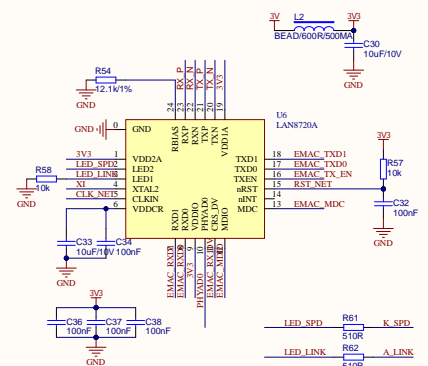
Multichannel



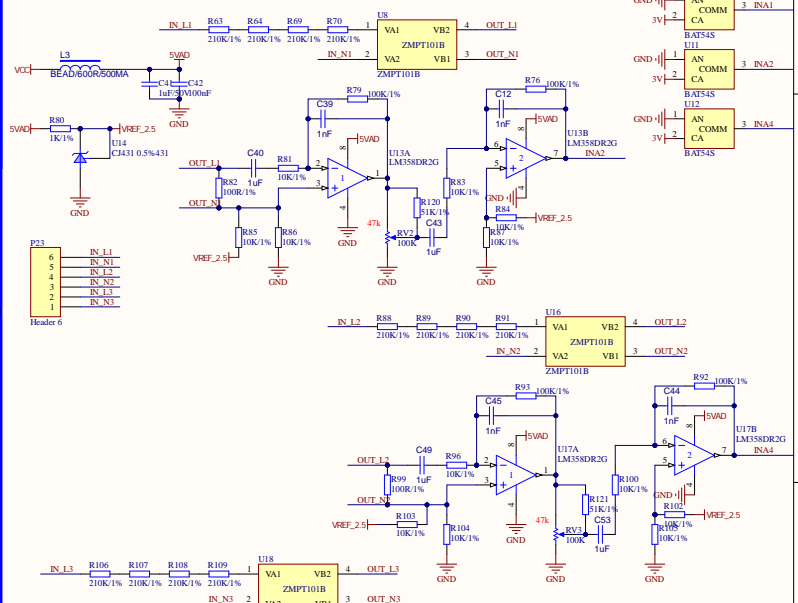
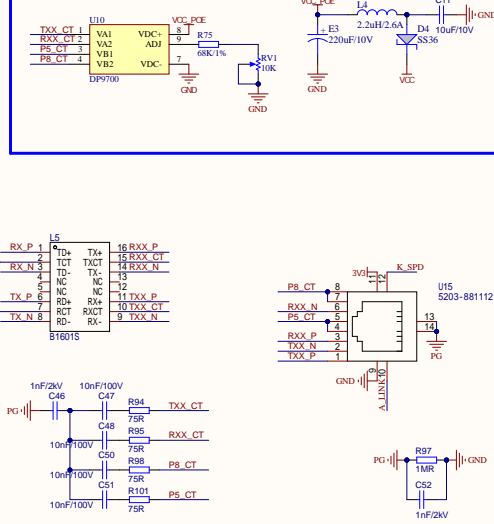
AutoProg



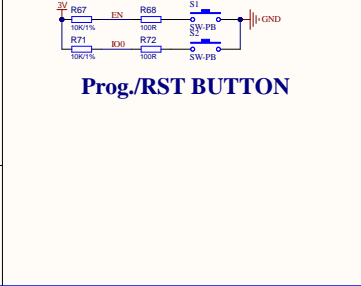
ETHERNET



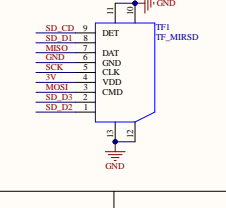
POE



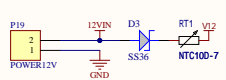
Prog./RST BUTTON



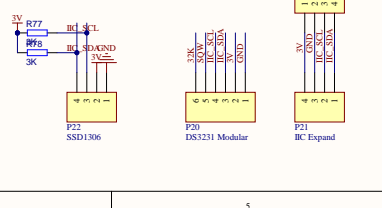
SD CARD



INTERFACE



IIC



Title			
Size	Number	Revision	
A2			
Date:	7/10/2023	Sheet	
File:	C:\Users\...\.RC-808-M16-V2.1.SchDoc	Drawn By:	