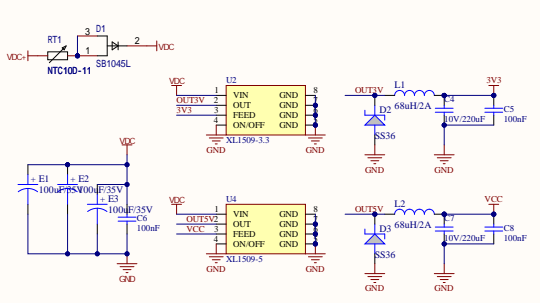


POWER SOURCE

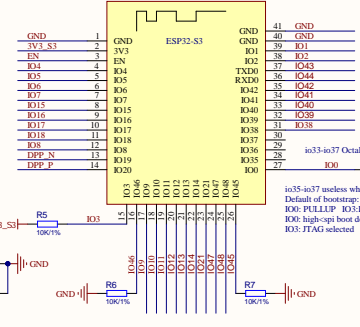


All INFO.

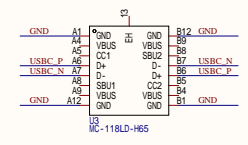
4G



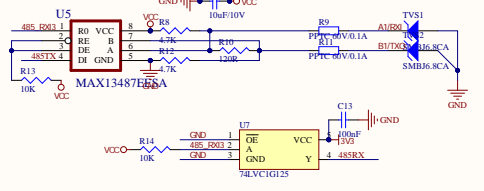
ESP32-S3



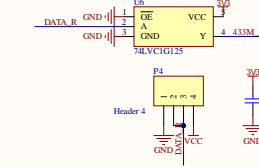
USB



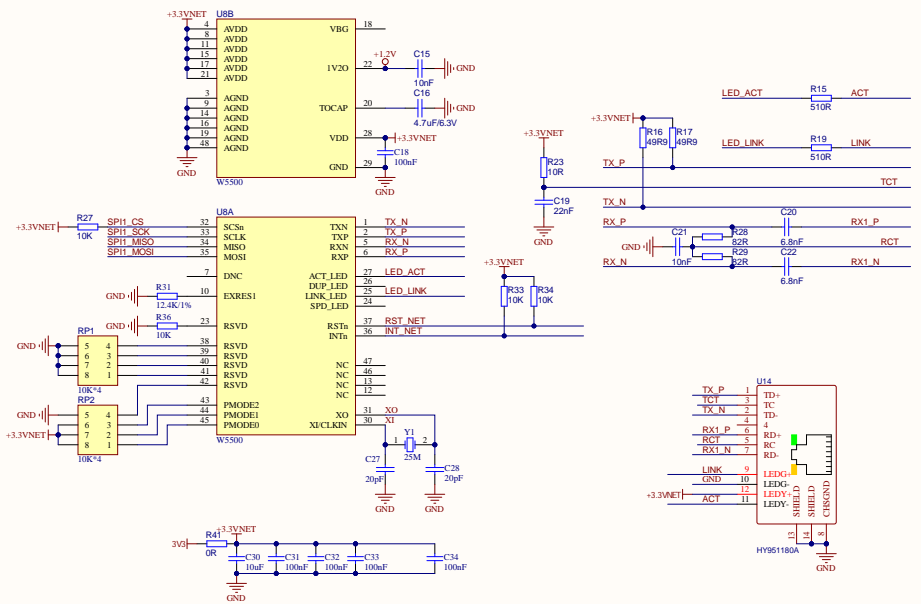
RS485



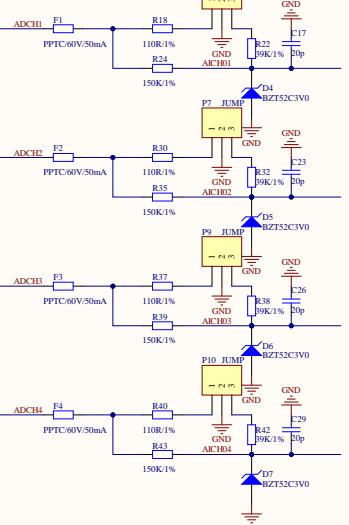
433M RECEIVE



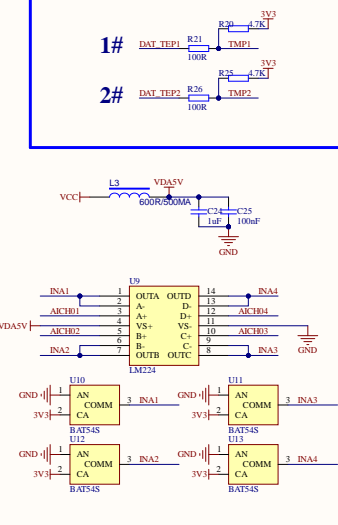
W5500



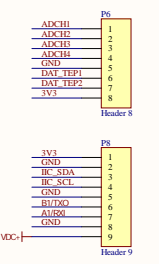
ADC*4



TEM./HUMI.



INTERFACE



Title		
Size	Number	Revision
A2		
Date	Sheet of	
File	Drawn By:	