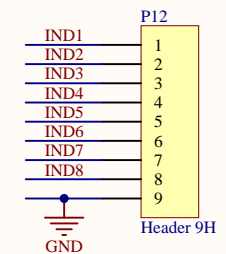
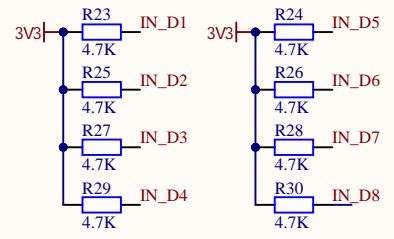
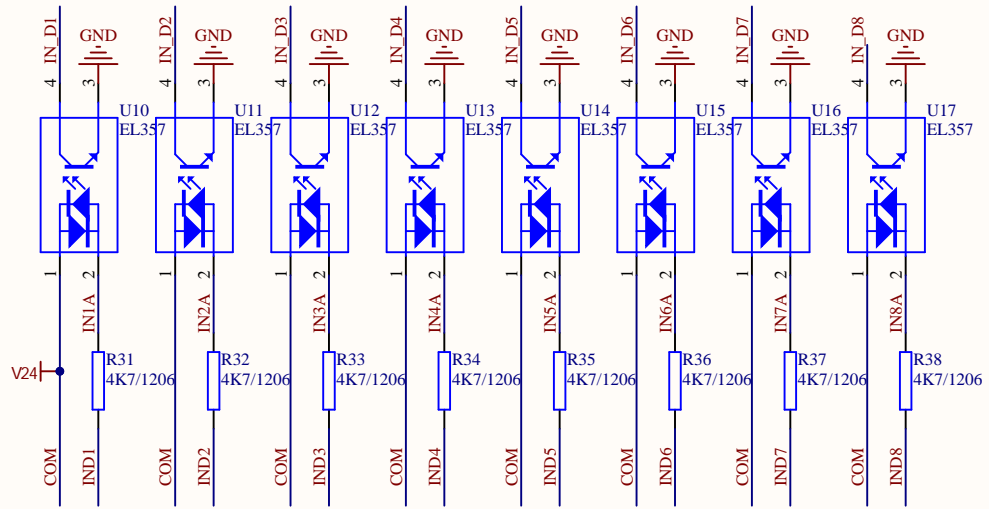


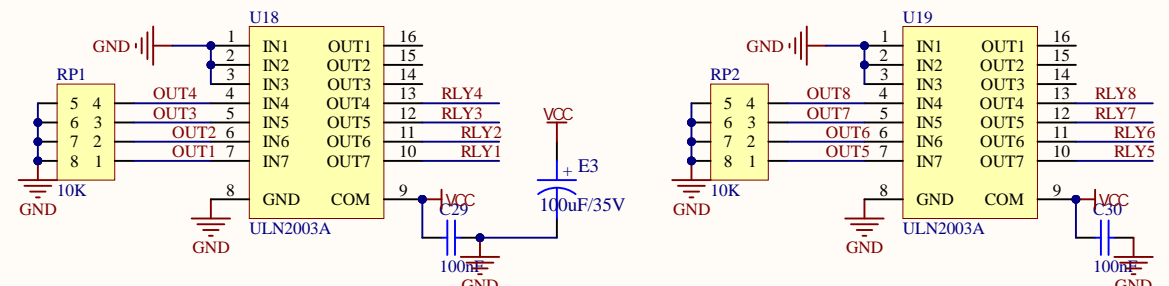
Title		
Size	Number	Revision
A3		
Date:	6/21/2023	Sheet of
File:	C:\Users\cm4\SchDoc	Drawn By:

INPUT

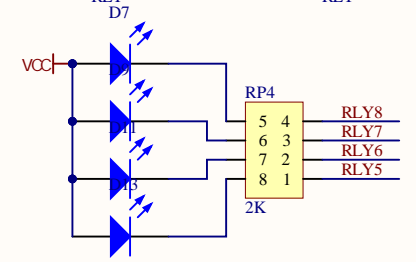
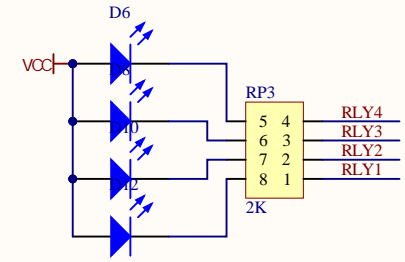
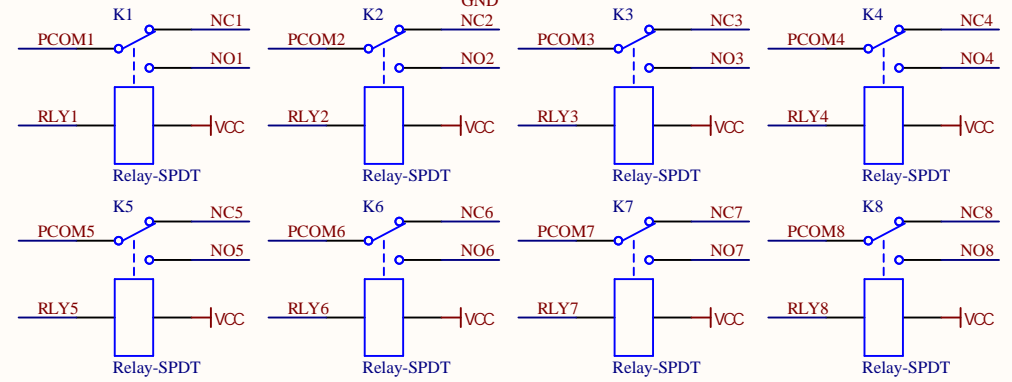
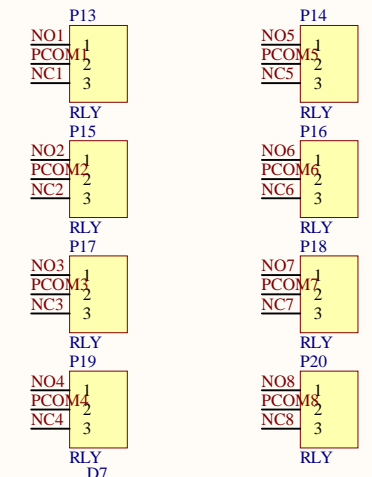


OUT4	IO4
OUT1	IO5
OUT5	IO6
IN_D5	IO12
OUT6	IO13
IN_D6	IO16
OUT3	IO17
IN_D1	IO18

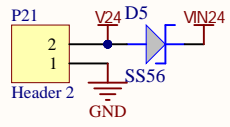
OUT



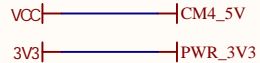
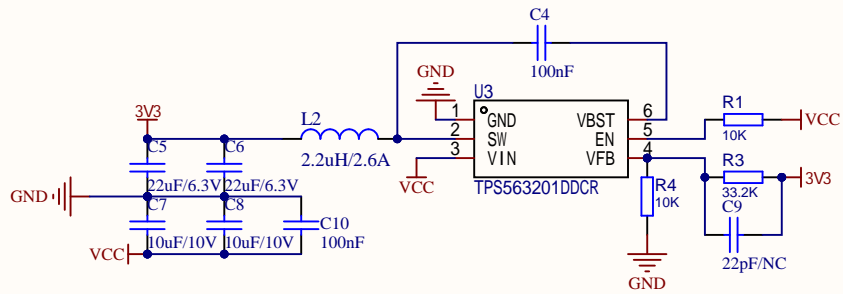
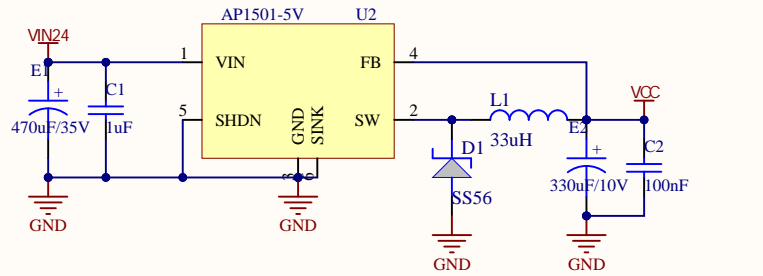
OUT7	IO19
IN_D7	IO20
IN_D8	IO21
OUT2	IO22
IN_D2	IO23
IN_D3	IO24
IN_D4	IO25
OUT8	IO26



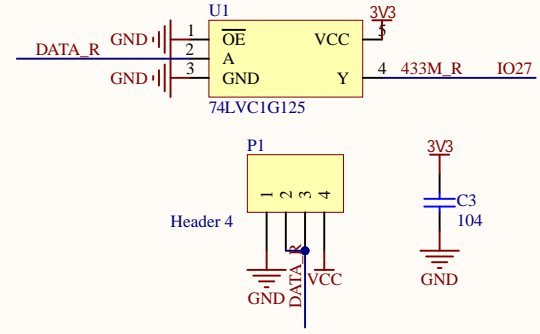
Title		
Size	Number	Revision
A4		
Date:	6/21/2023	Sheet of
File:	C:\Users\...\inout.SchDoc	Drawn By:



POWER



433M RECEIVE



Title		
Size	Number	Revision
A4		
Date:	6/21/2023	Sheet of
File:	C:\Users\...\power.SchDoc	Drawn By: