

1

2

3

4

A

A

B

B

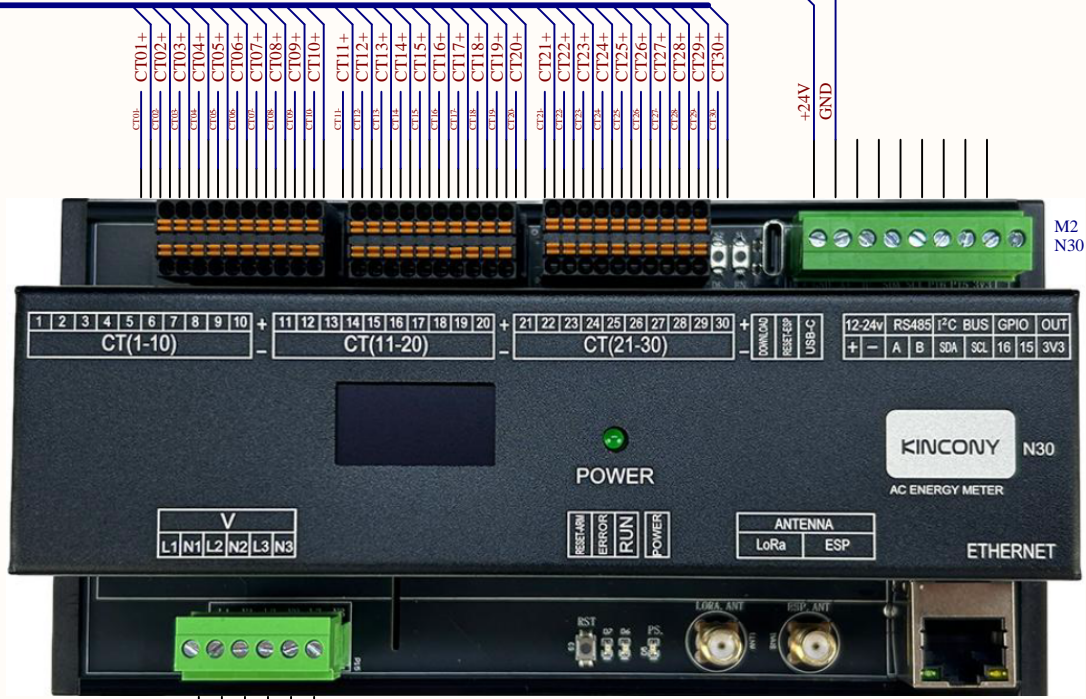
C

C

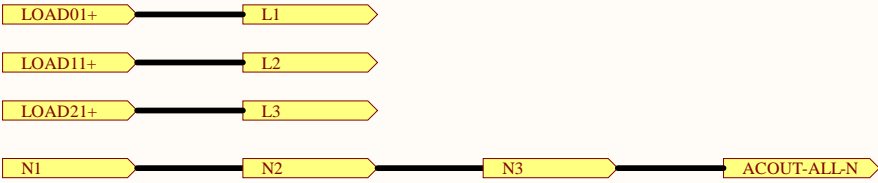
D

D

GND
+24V
CT-SIG(01..30)



L1
N1
L2
N2
L3
N3



Title		
Size A4	Number	Revision
Date:	6/15/2026	Sheet of
File:	D:\project\..N30_APL.SchDoc	Drawn By:

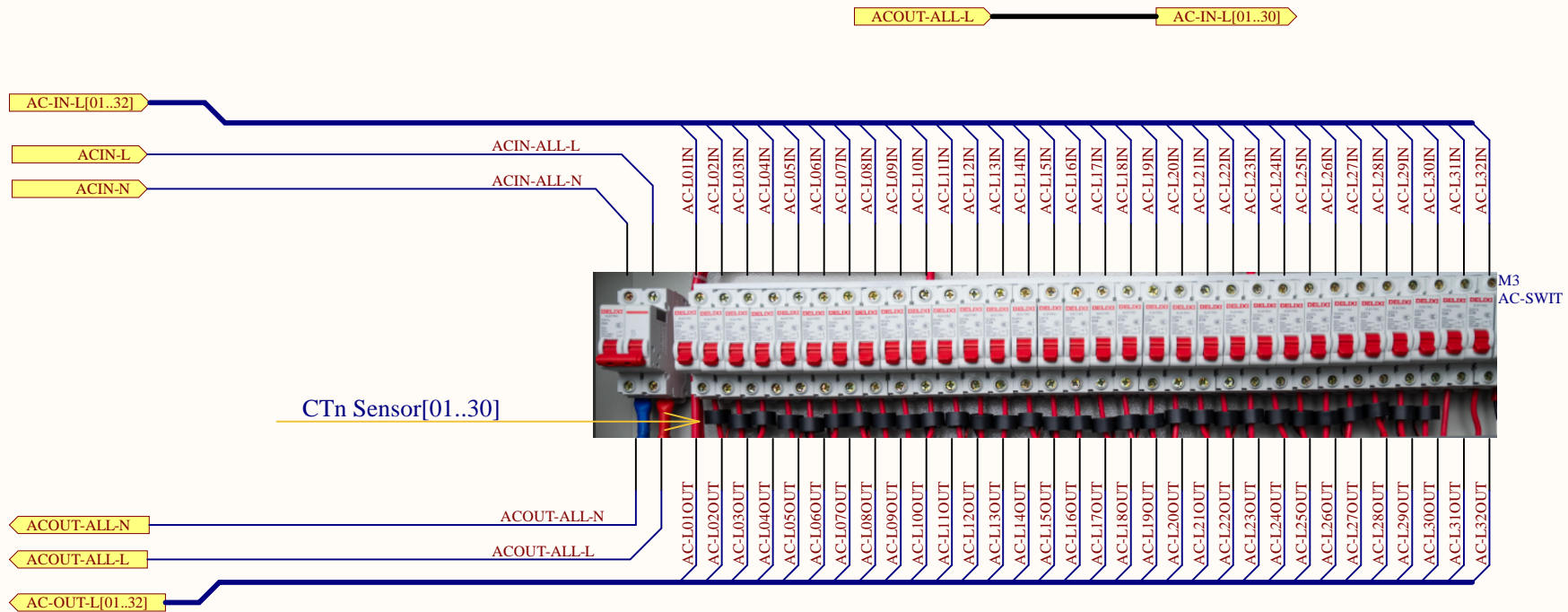
1

2

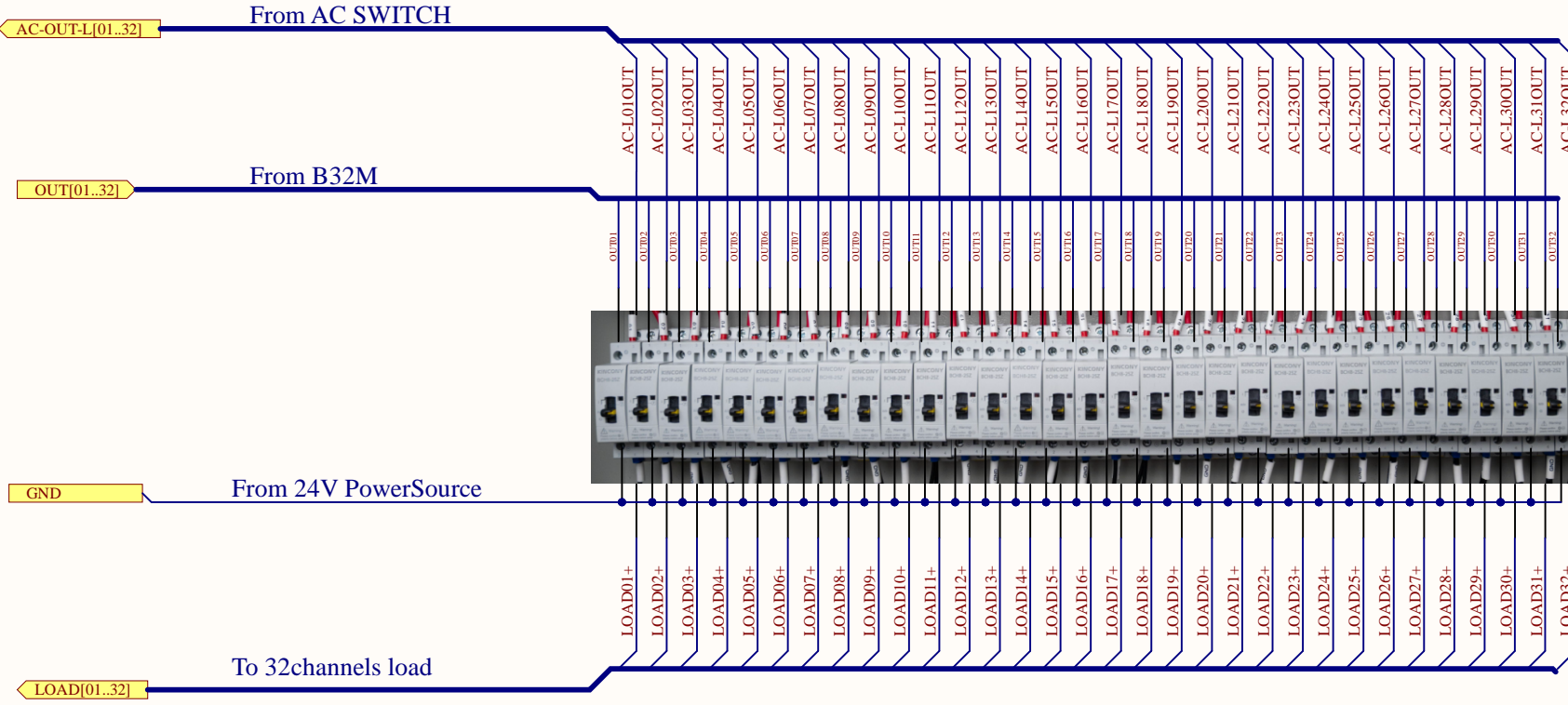
3

4

ATTENTION: Try to use terminal blocks or short-circuit copper bars for shunting, and avoid connecting terminals hand in hand.



Title		
Size A4	Number	Revision
Date:	6/15/2026	Sheet of
File:	D:\project\..\AC_IN.SchDoc	Drawn By:



Title		
Size A4	Number	Revision
Date:	6/15/2026	Sheet of
File:	D:\project\...\Contactor.SchDoc	Drawn By:

1

2

3

4

A

A

B

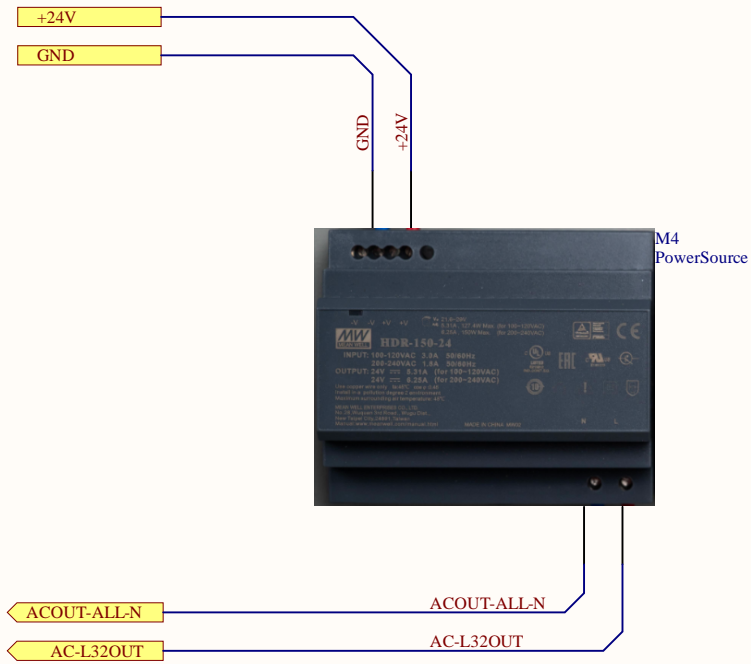
B

C

C

D

D



Title		
Size	Number	Revision
A4		
Date:	6/15/2026	Sheet of
File:	D:\project\...\24VPowerSource.SchDoc	Drawn By:

1

2

3

4